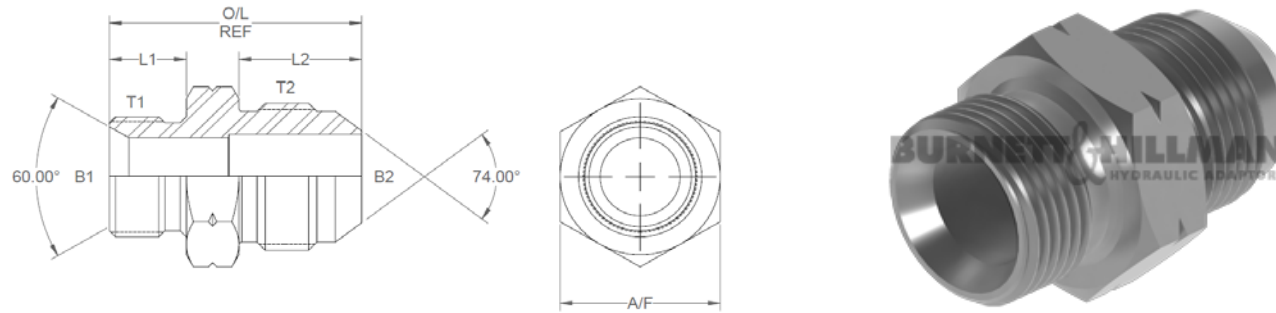


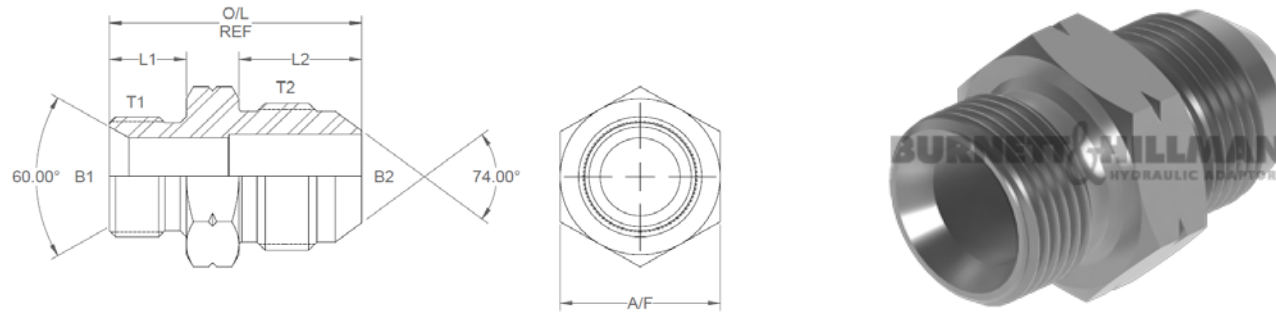
All dimensions are imperial unless stated.



	T1	T2	B1	B2	L1	L2	O/L	A/F
01265	M10 x 1.5	7/16	0.172		0.49	0.55	1.27	0.625
01274	M12 x 1.5	7/16	0.197	0.172	0.49	0.55	1.29	17mm
01284	M12 x 1.5	9/16	0.197	0.297	0.49	0.556	1.316	17mm
01286	M12 x 1.5	3/4	0.197	0.391	0.49	0.657	1.457	0.812
01268	M14 x 1.5	3/8	0.296	0.125	0.49	0.48	1.19	19mm
01291	M14 x 1.5	7/16	0.296	0.172	0.49	0.55	1.29	19mm
01287	M14 x 1.5	9/16	0.275		0.49	0.556	1.316	19mm
01288	M14 x 1.5	3/4	0.296	0.391	0.49	0.657	1.457	0.812
01272	M14 x 1.5	7/8	0.296	0.484	0.49	0.758	1.528	1
01295	M16 x 1.5	7/16	0.375	0.172	0.52	0.55	1.34	22mm
01280	M16 x 1.5	9/16	0.375	0.297	0.52	0.556	1.346	22mm
01275	M16 x 1.5	3/4	0.375		0.52	0.657	1.487	22mm
01289	M16 x 1.5	7/8	0.375	0.484	0.52	0.758	1.638	1
01296	M16 x 1.5	1-1/16	0.375	0.609	0.52	0.864	1.764	1.125
01299	M18 x 1.5	7/16	0.437	0.172	0.52	0.55	1.34	24mm
01276	M18 x 1.5	9/16	0.437	0.297	0.52	0.556	1.346	24mm
01281	M18 x 1.5	3/4	0.437	0.391	0.52	0.657	1.487	24mm
01283	M18 x 1.5	7/8	0.437	0.484	0.52	0.758	1.548	1
01298	M18 x 1.5	1-1/16	0.437	0.609	0.52	0.864	1.804	1.125
01282	M20 x 1.5	9/16	0.5	0.297	0.52	0.556	1.346	27mm

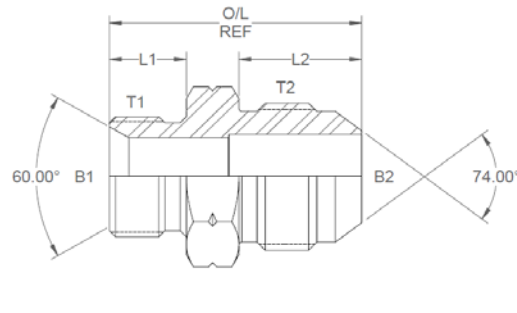
DESIGN DETAILS AND SPECIFICATIONS SUBJECT TO CHANGE WITHOUT PRIOR NOTICE - Whilst every effort has been made to ensure the accuracy of the information supplied herein, Burnett & Hillman cannot be held responsible for any errors or omissions (E&OE)

All dimensions are imperial unless stated.



	T1	T2	B1	B2	L1	L2	O/L	A/F
01277	M20 x 1.5	3/4	0.5	0.391	0.52	0.657	1.487	27mm
01290	M20 x 1.5	7/8	0.484		0.52	0.758	1.638	1
01270	M20 x 1.5	1-1/16	0.5	0.609	0.52	0.864	1.804	1.125
01285	M22 x 1.5	9/16	0.562	0.297	0.54	0.556	1.366	27mm
01278	M22 x 1.5	3/4	0.562	0.391	0.54	0.657	1.497	27mm
01279	M22 x 1.5	7/8	0.562	0.484	0.54	0.758	1.658	27mm
01294	M22 x 1.5	1-1/16	0.562	0.609	0.54	0.864	1.774	1.125
01293	M24 x 1.5	3/4	0.64	0.391	0.64	0.657	1.617	30mm
01267	M24 x 1.5	1-1/16	0.609		0.64	0.864	1.844	32mm
01297	M24 x 1.5	7/8	0.659	0.484	0.74	0.758	1.858	32mm
01292	M26 x 1.5	1-1/16	0.708	0.609	0.74	0.864	1.984	32mm
01269	M26 x 1.5	1-5/16	0.708	0.844	0.74	0.911	2.071	1.375

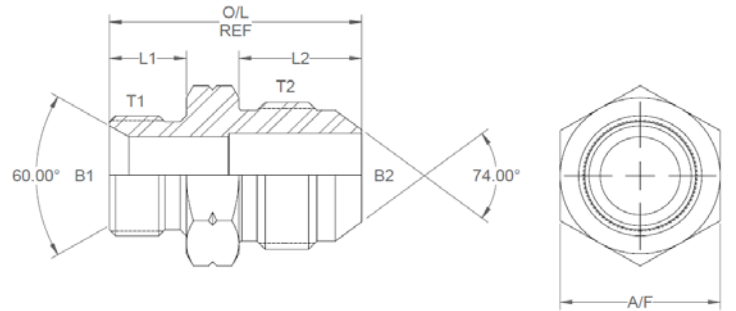
A/F dimensions are imperial unless stated.



	T1	T2	B1	B2	L1	L2	O/L	A/F
01265	M10 x 1.5	7/16	4.37		12.45	13.97	32.26	0.625
01274	M12 x 1.5	7/16	5	4.37	12.45	13.97	32.77	17mm
01284	M12 x 1.5	9/16	5	7.54	12.45	14.12	33.43	17mm
01286	M12 x 1.5	3/4	5	9.93	12.45	16.69	37.01	0.812
01268	M14 x 1.5	3/8	7.52	3.18	12.45	12.19	30.23	19mm
01291	M14 x 1.5	7/16	7.52	4.37	12.45	13.97	32.77	19mm
01287	M14 x 1.5	9/16	6.99		12.45	14.12	33.43	19mm
01288	M14 x 1.5	3/4	7.52	9.93	12.45	16.69	37.01	0.812
01272	M14 x 1.5	7/8	7.52	12.29	12.45	19.25	38.81	1
01295	M16 x 1.5	7/16	9.53	4.37	13.21	13.97	34.04	22mm
01280	M16 x 1.5	9/16	9.53	7.54	13.21	14.12	34.19	22mm
01275	M16 x 1.5	3/4	9.53		13.21	16.69	37.77	22mm
01289	M16 x 1.5	7/8	9.53	12.29	13.21	19.25	41.61	1
01296	M16 x 1.5	1-1/16	9.53	15.47	13.21	21.95	44.81	1.125
01299	M18 x 1.5	7/16	11.10	4.37	13.21	13.97	34.04	24mm
01276	M18 x 1.5	9/16	11.10	7.54	13.21	14.12	34.19	24mm
01281	M18 x 1.5	3/4	11.10	9.93	13.21	16.69	37.77	24mm
01283	M18 x 1.5	7/8	11.10	12.29	13.21	19.25	39.32	1
01298	M18 x 1.5	1-1/16	11.10	15.47	13.21	21.95	45.82	1.125
01282	M20 x 1.5	9/16	12.70	7.54	13.21	14.12	34.19	27mm

DESIGN DETAILS AND SPECIFICATIONS SUBJECT TO CHANGE WITHOUT PRIOR NOTICE - Whilst every effort has been made to ensure the accuracy of the information supplied herein, Burnett & Hillman cannot be held responsible for any errors or omissions (E&OE)

A/F dimensions are imperial unless stated.



	T1	T2	B1	B2	L1	L2	O/L	A/F
01277	M20 x 1.5	3/4	12.7	9.93	13.21	16.69	37.77	27mm
01290	M20 x 1.5	7/8	12.29		13.21	19.25	41.61	1
01270	M20 x 1.5	1-1/16	12.7	15.47	13.21	21.95	45.82	1.125
01285	M22 x 1.5	9/16	14.27	7.54	13.72	14.12	34.70	27mm
01278	M22 x 1.5	3/4	14.27	9.93	13.72	16.69	38.02	27mm
01279	M22 x 1.5	7/8	14.27	12.29	13.72	19.25	42.11	27mm
01294	M22 x 1.5	1-1/16	14.27	15.47	13.72	21.95	45.06	1.125
01293	M24 x 1.5	3/4	16.26	9.93	16.26	16.69	41.07	30mm
01267	M24 x 1.5	1-1/16	15.47		16.26	21.95	46.84	32mm
01297	M24 x 1.5	7/8	16.74	12.29	18.80	19.25	47.19	32mm
01292	M26 x 1.5	1-1/16	17.98	15.47	18.80	21.95	50.39	32mm
01269	M26 x 1.5	1-5/16	17.98	21.44	18.80	23.14	52.60	1.375