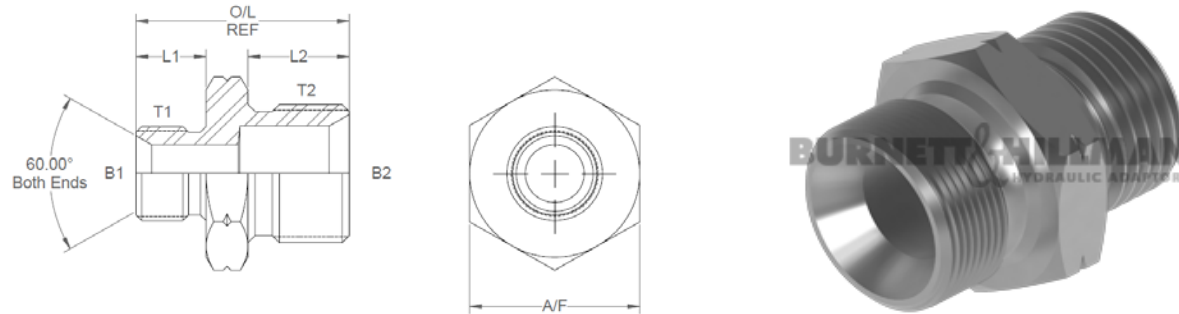
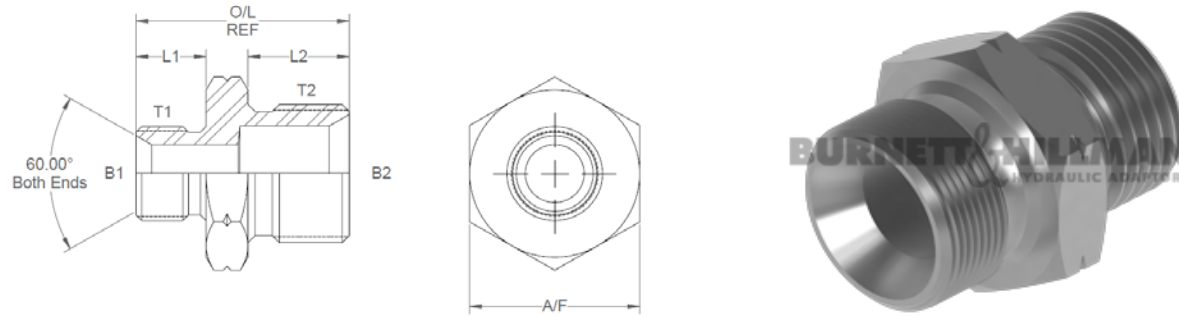


All dimensions are imperial unless stated.



	T1	T2	B1	B2	L1	L2	O/L	A/F
10542	M8 x 1	1/8	0.125	0.137	0.32	0.44	0.96	14mm
10544	M10 x 1	1/8	0.137		0.49	0.44	1.13	14mm
10545	M10 x 1	1/4	0.171	0.185	0.49	0.45	1.14	19mm
10548	M10 x 1	3/8	0.171	0.312	0.49	0.52	1.27	22mm
10543	M12 x 1	1/8	0.197	0.137	0.49	0.44	1.15	17mm
10546	M12 x 1	1/4	0.197	0.185	0.49	0.45	1.185	19mm
10541	M14 x 1	1/4	0.296	0.185	0.49	0.45	1.17	19mm
10547	M14 x 1	3/8	0.296	0.375	0.49	0.52	1.28	22mm

A/F dimensions are imperial unless stated.



	T1	T2	B1	B2	L1	L2	O/L	A/F
10542	M8 x 1	1/8	3.18	3.48	8.13	11.18	24.38	14mm
10544	M10 x 1	1/8	3.48		12.45	11.18	28.70	14mm
10545	M10 x 1	1/4	4.34	4.70	12.45	11.43	28.96	19mm
10548	M10 x 1	3/8	4.34	7.92	12.45	13.21	32.26	22mm
10543	M12 x 1	1/8	5	3.48	12.45	11.18	29.21	17mm
10546	M12 x 1	1/4	5	4.70	12.45	11.43	30.10	19mm
10541	M14 x 1	1/4	7.52	4.70	12.45	11.43	29.72	19mm
10547	M14 x 1	3/8	7.52	9.53	12.45	13.21	32.51	22mm