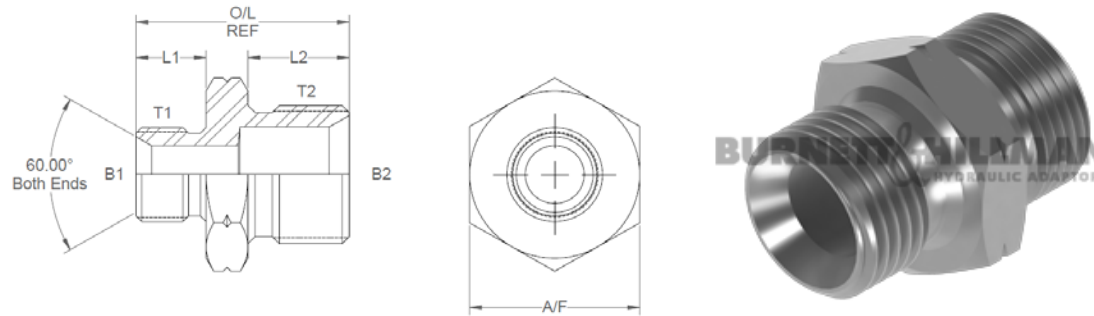


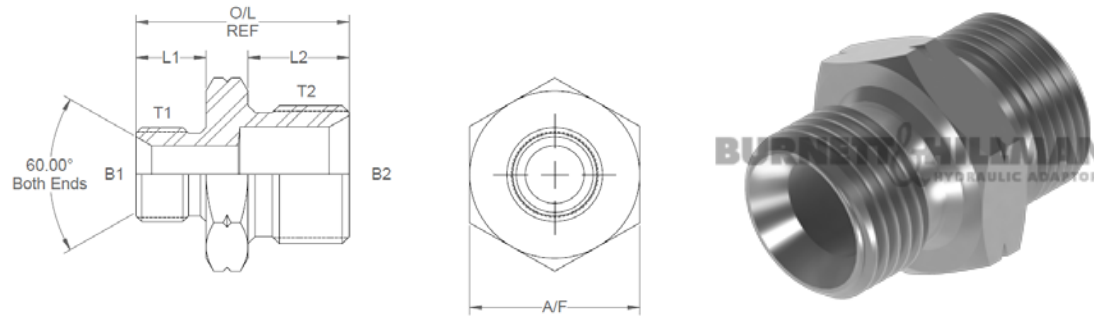
All dimensions are imperial unless stated.



	T1	T2	B1	B2	L1	L2	O/L	A/F
00558	M10 x 1.5	1/8	0.137		0.49	0.44	1.14	14mm
00500	M10 x 1.5	1/4	0.171	0.185	0.49	0.45	1.185	19mm
00546	M10 x 1.5	3/8	0.171	0.375	0.49	0.52	1.31	22mm
00501	M12 x 1.5	1/8	0.197	0.137	0.49	0.44	1.13	17mm
00502	M12 x 1.5	1/4	0.185		0.49	0.45	1.18	19mm
00503	M12 x 1.5	3/8	0.197	0.312	0.49	0.52	1.27	22mm
00504	M12 x 1.5	1/2	0.197	0.5	0.49	0.6	1.34	27mm
00505	M14 x 1.5	1/8	0.296	0.137	0.49	0.44	1.175	19mm
00506	M14 x 1.5	1/4	0.185		0.49	0.45	1.185	19mm
00507	M14 x 1.5	3/8	0.296	0.312	0.49	0.52	1.26	22mm
00508	M14 x 1.5	1/2	0.296	0.437	0.49	0.6	1.37	27mm
00549	M14 x 1.5	5/8	0.296	0.593	0.49	0.7	1.47	1.1
00560	M16 x 1.5	1/8	0.375	0.137	0.52	0.44	1.23	22mm
00509	M16 x 1.5	1/4	0.375	0.185	0.52	0.45	1.24	22mm
00510	M16 x 1.5	3/8	0.312		0.52	0.52	1.31	22mm
00511	M16 x 1.5	1/2	0.375	0.437	0.52	0.6	1.39	27mm
00512	M16 x 1.5	5/8	0.375	0.593	0.52	0.7	1.5	30mm
00513	M16 x 1.5	3/4	0.375	0.718	0.52	0.75	1.58	32mm
00514	M18 x 1.5	1/4	0.437	0.185	0.52	0.45	1.24	24mm
00515	M18 x 1.5	3/8	0.437	0.312	0.52	0.52	1.31	24mm

DESIGN DETAILS AND SPECIFICATIONS SUBJECT TO CHANGE WITHOUT PRIOR NOTICE - Whilst every effort has been made to ensure the accuracy of the information supplied herein, Burnett & Hillman cannot be held responsible for any errors or omissions (E&OE)

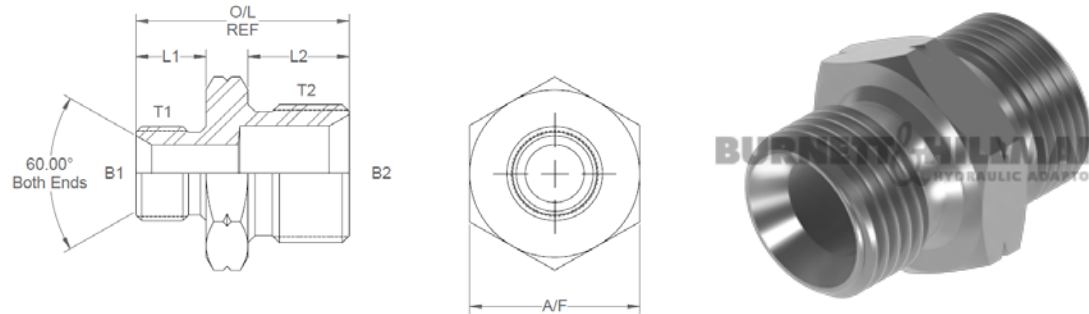
All dimensions are imperial unless stated.



	T1	T2	B1	B2	L1	L2	O/L	A/F
00516	M18 x 1.5	1/2	0.437		0.52	0.6	1.39	27mm
00517	M18 x 1.5	5/8	0.437	0.562	0.52	0.7	1.5	30mm
00518	M18 x 1.5	3/4	0.437	0.659	0.52	0.75	1.58	32mm
00519	M18 x 1.5	1	0.437	0.875	0.52	0.8	1.67	41mm
00520	M20 x 1.5	1/4	0.5	0.185	0.52	0.45	1.24	27mm
00521	M20 x 1.5	3/8	0.5	0.312	0.52	0.52	1.31	27mm
00522	M20 x 1.5	1/2	0.437		0.52	0.6	1.39	27mm
00523	M20 x 1.5	3/4	0.5	0.659	0.52	0.75	1.59	32mm
00524	M22 x 1.5	1/4	0.562	0.185	0.54	0.45	1.26	27mm
00525	M22 x 1.5	3/8	0.562	0.312	0.54	0.52	1.33	27mm
00526	M22 x 1.5	1/2	0.562	0.437	0.54	0.6	1.41	27mm
00527	M22 x 1.5	5/8	0.5	0.562	0.54	0.7	1.52	30mm
00528	M22 x 1.5	3/4	0.562	0.659	0.54	0.75	1.63	32mm
00529	M22 x 1.5	1	0.562	0.875	0.54	0.8	1.69	41mm
00552	M22 x 1.5	1-1/2	0.562	1.437	0.54	0.85	1.9	55mm
00551	M24 x 1.5	1/4	0.64	0.25	0.64	0.45	1.41	30mm
00550	M24 x 1.5	3/8	0.64	0.312	0.64	0.52	1.48	30mm
00530	M24 x 1.5	1/2	0.64	0.437	0.64	0.6	1.56	30mm
00531	M24 x 1.5	3/4	0.64	0.659	0.64	0.75	1.71	32mm
00554	M26 x 1.5	3/8	0.718	0.375	0.74	0.52	1.58	32mm

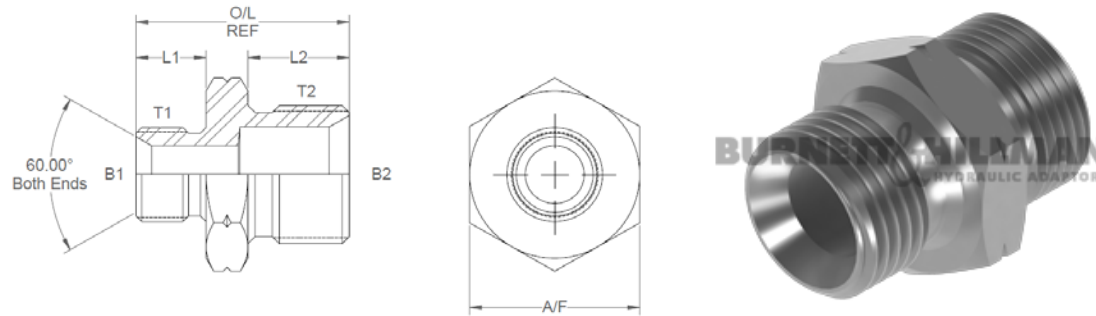
DESIGN DETAILS AND SPECIFICATIONS SUBJECT TO CHANGE WITHOUT PRIOR NOTICE - Whilst every effort has been made to ensure the accuracy of the information supplied herein, Burnett & Hillman cannot be held responsible for any errors or omissions (E&OE)

All dimensions are imperial unless stated.



	T1	T2	B1	B2	L1	L2	O/L	A/F
00532	M26 x 1.5	1/2	0.659	0.437	0.74	0.6	1.66	32mm
00544	M26 x 1.5	5/8	0.718	0.593	0.74	0.7	1.78	1.3
00533	M26 x 1.5	3/4	0.659		0.74	0.75	1.81	32mm
00534	M26 x 1.5	1	0.718	0.875	0.74	0.8	1.88	41mm
00538	M26 x 1.5	1-1/4	0.718	1.203	0.74	0.8	1.94	50mm
00545	M28 x 1.5	1	0.718	0.875	0.8	0.8	1.95	41mm
00559	M30 x 1.5	3/8	0.812	0.375	0.8	0.52	1.7	1.5
00535	M30 x 1.5	3/4	0.812	0.659	0.8	0.75	1.91	1.5
00536	M30 x 1.5	1	0.812	0.875	0.8	0.8	1.96	41mm
00537	M30 x 1.5	1-1/4	0.812	1.125	0.8	0.8	2	50mm
00547	M36 x 1.5	1	1	0.875	0.8	0.8	2	46mm
00548	M38 x 1.5	1	1.047	0.875	0.8	0.8	2.02	46mm
00539	M38 x 1.5	1-1/4	1.047	1.203	0.8	0.8	2.02	50mm
00540	M38 x 1.5	1-1/2	1.047	1.437	0.8	0.85	2.1	2.22
00541	M45 x 1.5	1-1/2	1.312	1.437	0.95	0.85	2.3	55mm
00542	M45 x 1.5	2	1.312	1.812	0.95	1	2.45	70mm
00543	M52 x 1.5	2	1.562	1.812	0.95	1	2.48	70mm

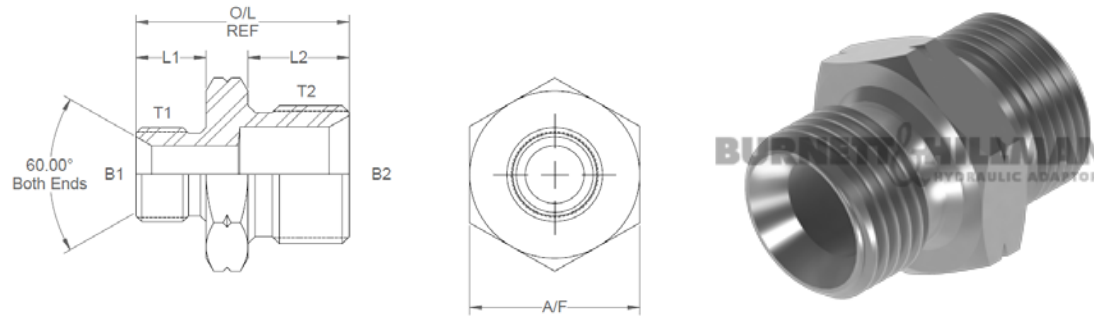
A/F dimensions are imperial unless stated.



	T1	T2	B1	B2	L1	L2	O/L	A/F
00558	M10 x 1.5	1/8	3.48		12.45	11.18	28.96	14mm
00500	M10 x 1.5	1/4	4.34	4.70	12.45	11.43	30.10	19mm
00546	M10 x 1.5	3/8	4.34	9.53	12.45	13.21	33.27	22mm
00501	M12 x 1.5	1/8	5	3.48	12.45	11.18	28.70	17mm
00502	M12 x 1.5	1/4	4.7		12.45	11.43	29.97	19mm
00503	M12 x 1.5	3/8	5	7.92	12.45	13.21	32.26	22mm
00504	M12 x 1.5	1/2	5.00	12.70	12.45	15.24	34.04	27mm
00505	M14 x 1.5	1/8	7.52	3.48	12.45	11.18	29.85	19mm
00506	M14 x 1.5	1/4	4.70		12.45	11.43	30.10	19mm
00507	M14 x 1.5	3/8	7.52	7.92	12.45	13.21	32.00	22mm
00508	M14 x 1.5	1/2	7.52	11.10	12.45	15.24	34.80	27mm
00549	M14 x 1.5	5/8	7.52	15.06	12.45	17.78	37.34	1.1
00560	M16 x 1.5	1/8	9.53	3.48	13.21	11.18	31.24	22mm
00509	M16 x 1.5	1/4	9.53	4.70	13.21	11.43	31.50	22mm
00510	M16 x 1.5	3/8	7.92		13.21	13.21	33.27	22mm
00511	M16 x 1.5	1/2	9.53	11.10	13.21	15.24	35.31	27mm
00512	M16 x 1.5	5/8	9.53	15.06	13.21	17.78	38.10	30mm
00513	M16 x 1.5	3/4	9.53	18.24	13.21	19.05	40.13	32mm
00514	M18 x 1.5	1/4	11.10	4.70	13.21	11.43	31.50	24mm
00515	M18 x 1.5	3/8	11.10	7.92	13.21	13.21	33.27	24mm

DESIGN DETAILS AND SPECIFICATIONS SUBJECT TO CHANGE WITHOUT PRIOR NOTICE - Whilst every effort has been made to ensure the accuracy of the information supplied herein, Burnett & Hillman cannot be held responsible for any errors or omissions (E&OE)

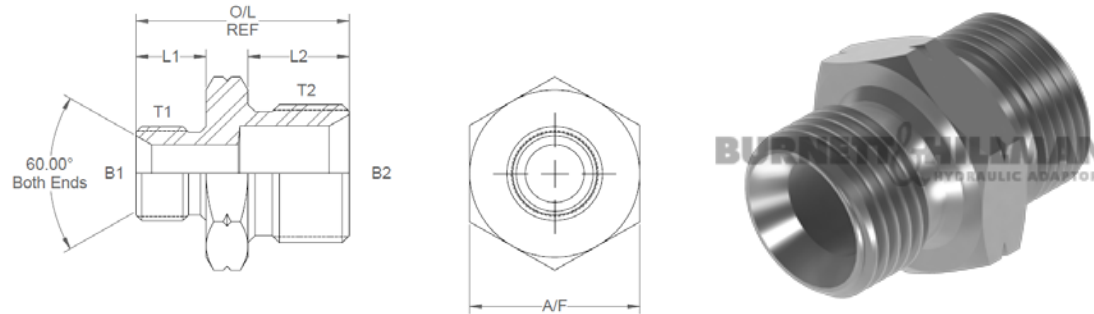
A/F dimensions are imperial unless stated.



	T1	T2	B1	B2	L1	L2	O/L	A/F
00516	M18 x 1.5	1/2	11.1		13.21	15.24	35.31	27mm
00517	M18 x 1.5	5/8	11.1	14.27	13.21	17.78	38.10	30mm
00518	M18 x 1.5	3/4	11.1	16.74	13.21	19.05	40.13	32mm
00519	M18 x 1.5	1	11.1	22.23	13.21	20.32	42.42	41mm
00520	M20 x 1.5	1/4	12.7	4.70	13.21	11.43	31.50	27mm
00521	M20 x 1.5	3/8	12.7	7.92	13.21	13.21	33.27	27mm
00522	M20 x 1.5	1/2	11.10		13.21	15.24	35.31	27mm
00523	M20 x 1.5	3/4	12.70	16.74	13.21	19.05	40.39	32mm
00524	M22 x 1.5	1/4	14.27	4.70	13.72	11.43	32.00	27mm
00525	M22 x 1.5	3/8	14.27	7.92	13.72	13.21	33.78	27mm
00526	M22 x 1.5	1/2	14.27	11.10	13.72	15.24	35.81	27mm
00527	M22 x 1.5	5/8	12.70	14.27	13.72	17.78	38.61	30mm
00528	M22 x 1.5	3/4	14.27	16.74	13.72	19.05	41.40	32mm
00529	M22 x 1.5	1	14.27	22.23	13.72	20.32	42.93	41mm
00552	M22 x 1.5	1-1/2	14.27	36.50	13.72	21.59	48.26	55mm
00551	M24 x 1.5	1/4	16.26	6.35	16.26	11.43	35.81	30mm
00550	M24 x 1.5	3/8	16.26	7.92	16.26	13.21	37.59	30mm
00530	M24 x 1.5	1/2	16.26	11.10	16.26	15.24	39.62	30mm
00531	M24 x 1.5	3/4	16.26	16.74	16.26	19.05	43.43	32mm
00554	M26 x 1.5	3/8	18.24	9.53	18.80	13.21	40.13	32mm

DESIGN DETAILS AND SPECIFICATIONS SUBJECT TO CHANGE WITHOUT PRIOR NOTICE - Whilst every effort has been made to ensure the accuracy of the information supplied herein, Burnett & Hillman cannot be held responsible for any errors or omissions (E&OE)

A/F dimensions are imperial unless stated.



	T1	T2	B1	B2	L1	L2	O/L	A/F
00532	M26 x 1.5	1/2	16.74	11.10	18.80	15.24	42.16	32mm
00544	M26 x 1.5	5/8	18.24	15.06	18.80	17.78	45.21	1.3
00533	M26 x 1.5	3/4	16.74		18.80	19.05	45.97	32mm
00534	M26 x 1.5	1	18.24	22.23	18.80	20.32	47.75	41mm
00538	M26 x 1.5	1-1/4	18.24	30.56	18.80	20.32	49.28	50mm
00545	M28 x 1.5	1	18.24	22.23	20.32	20.32	49.53	41mm
00559	M30 x 1.5	3/8	20.62	9.53	20.32	13.21	43.18	1.5
00535	M30 x 1.5	3/4	20.62	16.74	20.32	19.05	48.51	1.5
00536	M30 x 1.5	1	20.62	22.23	20.32	20.32	49.78	41mm
00537	M30 x 1.5	1-1/4	20.62	28.58	20.32	20.32	50.80	50mm
00547	M36 x 1.5	1	25.40	22.23	20.32	20.32	50.80	46mm
00548	M38 x 1.5	1	26.59	22.23	20.32	20.32	51.31	46mm
00539	M38 x 1.5	1-1/4	26.59	30.56	20.32	20.32	51.31	50mm
00540	M38 x 1.5	1-1/2	26.59	36.50	20.32	21.59	53.34	2.22
00541	M45 x 1.5	1-1/2	33.32	36.50	24.13	21.59	58.42	55mm
00542	M45 x 1.5	2	33.32	46.02	24.13	25.40	62.23	70mm
00543	M52 x 1.5	2	39.67	46.02	24.13	25.40	62.99	70mm

DESIGN DETAILS AND SPECIFICATIONS SUBJECT TO CHANGE WITHOUT PRIOR NOTICE - Whilst every effort has been made to ensure the accuracy of the information supplied herein, Burnett & Hillman cannot be held responsible for any errors or omissions (E&OE)