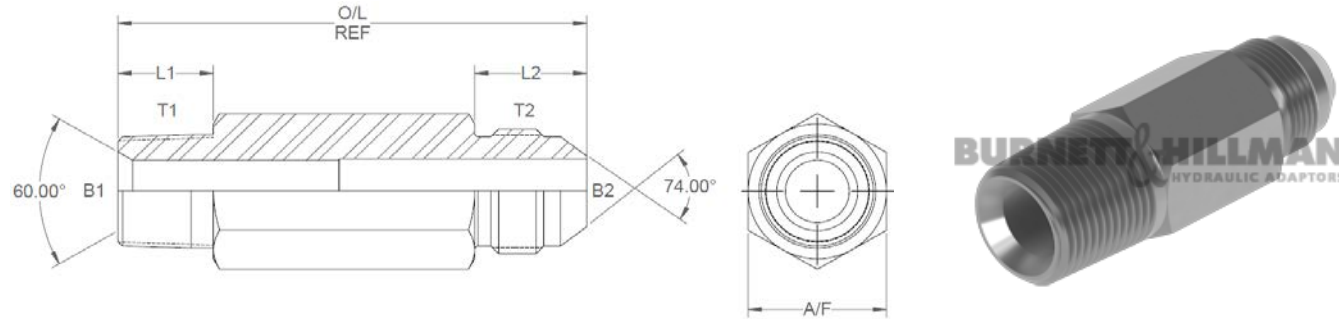
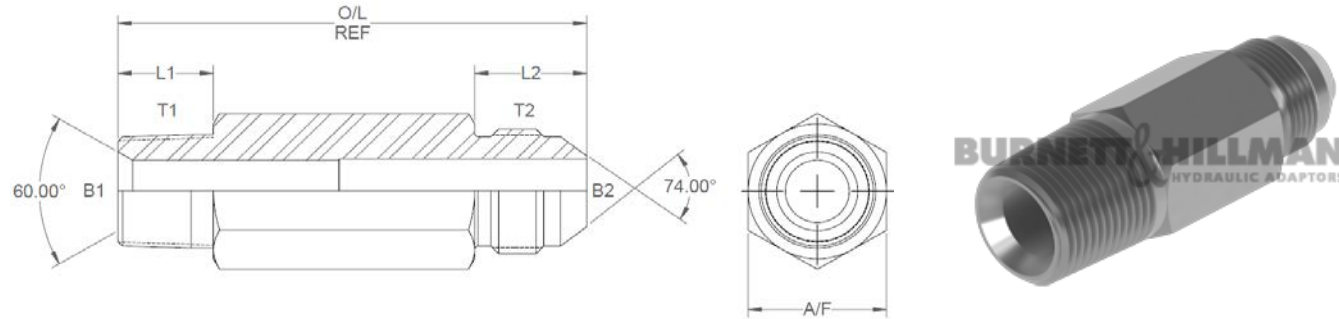


All dimensions are imperial unless stated.



	T1	T2	B1	B2	L1	L2	O/L	A/F
10720	1/8	7/16	0.172	0.172	0.380	0.550	1.812	0.500
10726	1/4	9/16	0.250	0.297	0.560	0.556	2.246	0.625
10731	3/8	9/16	0.375	0.297	0.560	0.556	2.482	0.687
10732	3/8	3/4	0.391	0.391	0.560	0.657	2.758	0.812
10740	1/2	1-1/16	0.500	0.609	0.750	0.864	3.270	1.125
10752	1	1-5/16	0.844	0.844	0.940	0.911	4.018	1.375
20720	1/8	7/16	0.172	0.172	0.380	0.550	2.561	0.600

A/F dimensions are imperial unless stated.



	T1	T2	B1	B2	L1	L2	O/L	A/F
10720	1/8	7/16	4.37	4.37	9.65	13.97	46.02	0.500
10726	1/4	9/16	6.35	7.54	14.22	14.12	57.05	0.625
10731	3/8	9/16	9.53	7.54	14.22	14.12	63.04	0.687
10732	3/8	3/4	9.93	9.93	14.22	16.69	70.05	0.812
10740	1/2	1-1/16	12.70	15.47	19.05	21.95	83.06	1.125
10752	1	1-5/16	21.44	21.44	23.88	23.14	102.06	1.375
20720	1/8	7/16	4.37	4.37	9.65	13.97	65.05	0.600