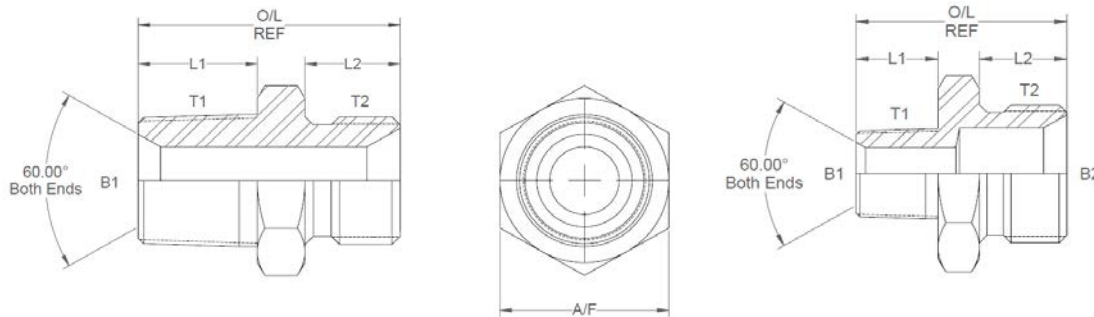
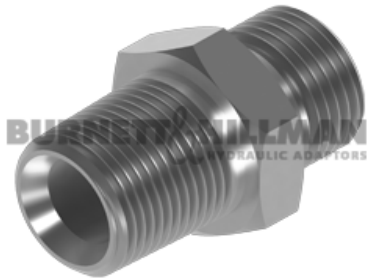


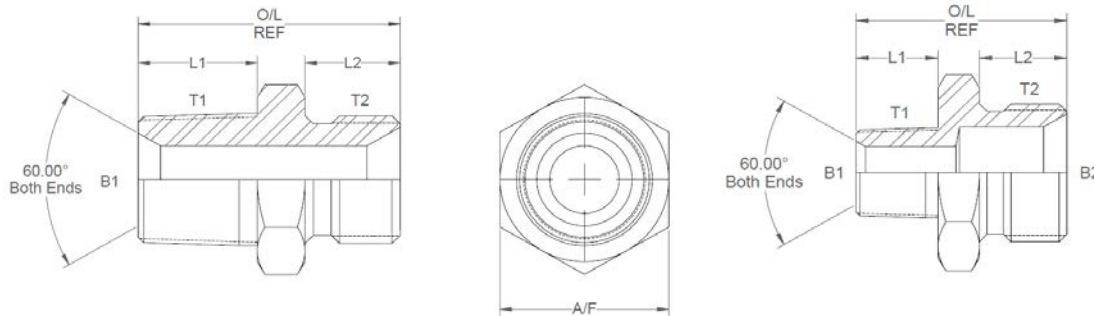
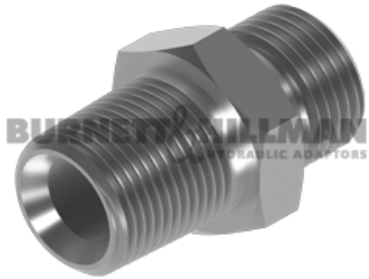
All dimensions are imperial unless stated.



	T1	T2	B1	B2	L1	L2	O/L	A/F
00600	1/8	1/8	0.137		0.38	0.44	1.02	14mm
00601	1/8	1/4	0.185		0.38	0.45	1.07	19mm
00602	1/8	3/8	0.188	0.31	0.38	0.52	1.18	22mm
00603	1/8	1/2	0.188	0.44	0.38	0.60	1.29	27mm
00604	1/4	1/8	0.25	0.14	0.56	0.44	1.30	14mm
00605	1/4	1/4	0.185		0.56	0.45	1.26	19mm
00606	1/4	3/8	0.25	0.31	0.56	0.52	1.33	22mm
00607	1/4	1/2	0.25	0.44	0.56	0.60	1.47	27mm
00608	1/4	3/4	0.25	0.72	0.56	0.75	1.62	32mm
00650	1/4	1	0.25	0.88	0.56	0.80	1.71	41mm
00609	3/8	1/8	0.38	0.19	0.56	0.44	1.30	0.687
00610	3/8	1/4	0.38	0.19	0.56	0.45	1.31	19mm
00611	3/8	3/8	0.31		0.56	0.52	1.38	22mm
00612	3/8	1/2	0.38	0.44	0.56	0.60	1.46	27mm
00613	3/8	5/8	0.38	0.59	0.56	0.70	1.58	30mm
00614	3/8	3/4	0.38	0.66	0.56	0.75	1.62	32mm
00660	3/8	1	0.38	0.88	0.56	0.80	1.71	41mm
00656	1/2	1/8	0.50	0.16	0.75	0.44	1.49	22mm
00615	1/2	1/4	0.50	0.19	0.75	0.45	1.50	22mm
00616	1/2	3/8	0.50	0.31	0.75	0.52	1.61	22mm

DESIGN DETAILS AND SPECIFICATIONS SUBJECT TO CHANGE WITHOUT PRIOR NOTICE - Whilst every effort has been made to ensure the accuracy of the information supplied herein, Burnett & Hillman cannot be held responsible for any errors or omissions (E&OE)

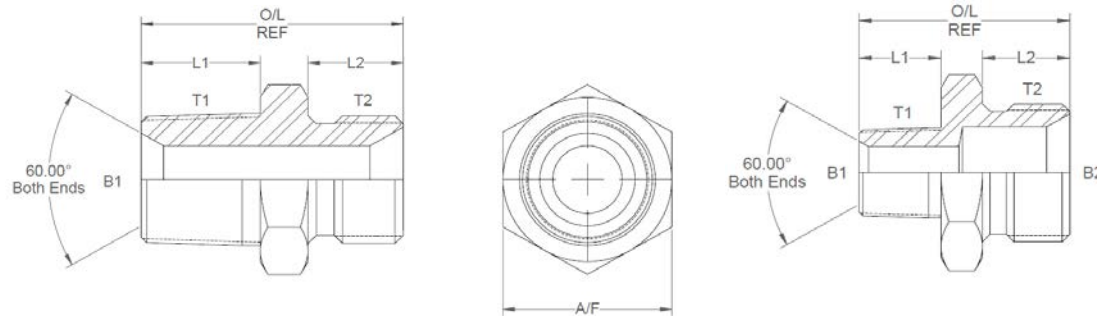
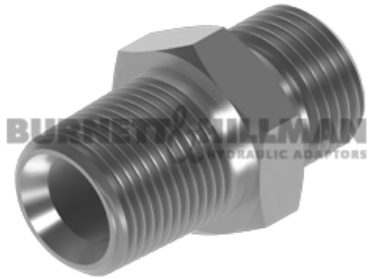
All dimensions are imperial unless stated.



	T1	T2	B1	B2	L1	L2	O/L	A/F
00617	1/2	1/2	0.437		0.75	0.6	1.65	27mm
00618	1/2	5/8	0.5	0.562	0.75	0.7	1.76	30mm
00619	1/2	3/4	0.5	0.718	0.75	0.75	1.81	32mm
00620	1/2	1	0.5	0.875	0.75	0.8	1.93	41mm
00621	3/4	1/4	0.687	0.25	0.75	0.45	1.55	27mm
00622	3/4	3/8	0.687	0.312	0.75	0.52	1.62	27mm
00623	3/4	1/2	0.687	0.437	0.75	0.6	1.7	27mm
00624	3/4	5/8	0.687	0.593	0.75	0.7	1.81	30mm
00625	3/4	3/4	0.659		0.75	0.75	1.85	32mm
00626	3/4	1	0.687	0.875	0.75	0.8	1.96	41mm
00627	3/4	1-1/4	0.687	1.125	0.75	0.8	2	50mm
00647	3/4	1-1/2	0.687	1.437	0.95	0.85	2.3	55mm
00628	1	1/4	0.843	0.185	0.97	0.45	1.8	1.375
00649	1	3/8	0.843	0.375	0.97	0.52	1.87	1.375
00629	1	1/2	0.843	0.437	0.97	0.6	2.07	1.375
00630	1	3/4	0.843	0.659	0.97	0.75	2.22	1.375
00631	1	1	0.875		0.97	0.8	2.15	41mm
00632	1	1-1/4	0.843	1.125	0.97	0.8	2.27	50mm
00633	1	1-1/2	0.843	1.312	0.97	0.85	2.32	55mm
00634	1	2	0.843	1.812	0.97	1	2.49	70mm

DESIGN DETAILS AND SPECIFICATIONS SUBJECT TO CHANGE WITHOUT PRIOR NOTICE - Whilst every effort has been made to ensure the accuracy of the information supplied herein, Burnett & Hillman cannot be held responsible for any errors or omissions (E&OE)

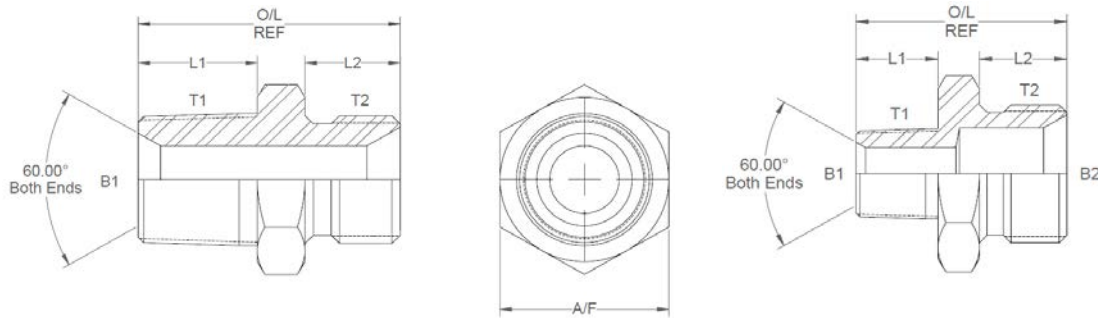
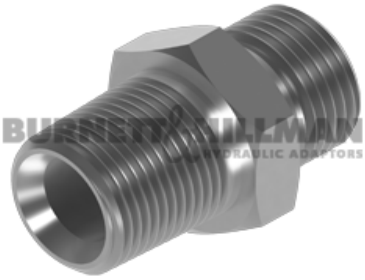
All dimensions are imperial unless stated.



	T1	T2	B1	B2	L1	L2	O/L	A/F
00635	1-1/4	3/4	1.203	0.659	0.97	0.75	2.17	1.75
00636	1-1/4	1	1.203	0.875	0.97	0.8	2.27	1.75
00637	1-1/4	1-1/4	1.125		0.97	0.8	2.27	50mm
00638	1-1/4	1-1/2	1.203	1.437	0.97	0.85	2.32	55mm
00639	1-1/4	2	1.203	1.812	0.97	1	2.47	70mm
00674	1-1/2	3/4	1.312	0.718	1	0.75	2.25	50mm
00640	1-1/2	1	1.312	0.875	1	0.8	2.3	50mm
00648	1-1/2	1-1/4	1.312	1.125	1	0.8	2.3	50mm
00641	1-1/2	1-1/2	1.312		1	0.85	2.35	55mm
00642	1-1/2	2	1.312	1.812	1	1	2.5	70mm
00673	2	3/4	1.812	0.659	1.03	0.75	2.33	65mm
00643	2	1	1.812	0.875	1.03	0.8	2.33	65mm
00653	2	1-1/4	1.812	1.125	1.03	0.8	2.38	65mm
00644	2	1-1/2	1.812	1.312	1.03	0.85	2.43	65mm
00645	2	2	1.812		1.03	1	2.58	70mm
00646	2	2-1/2	1.812	2.37	1.03	1	2.65	3.25
00670	2	3	1.812	2.75	1.03	1	2.67	95mm
00657	2-1/2	2	2.25	1.812	1.52	1	3.145	3.25
00654	2-1/2	2-1/2	2.25		1.52	1	3.145	3.25
00671	2-1/2	3	2.25	2.75	1.52	1	3.16	95mm

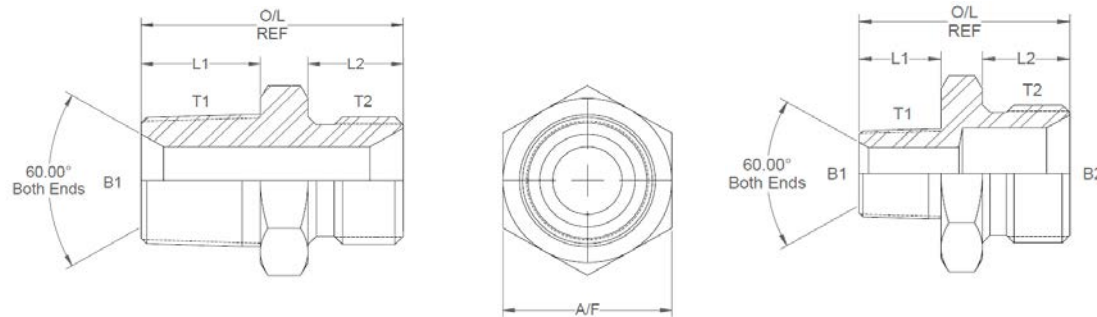
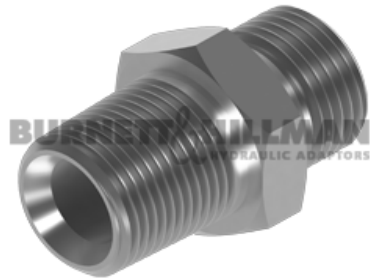
DESIGN DETAILS AND SPECIFICATIONS SUBJECT TO CHANGE WITHOUT PRIOR NOTICE - Whilst every effort has been made to ensure the accuracy of the information supplied herein, Burnett & Hillman cannot be held responsible for any errors or omissions (E&OE)

All dimensions are imperial unless stated.



	T1	T2	B1	B2	L1	L2	O/L	A/F
00658	3	2	2.62	1.812	1.6	1	3.23	90mm
00659	3	2-1/2	2.62	2.37	1.6	1	3.23	90mm
00655	3	3	2.62	2.75	1.6	1	3.23	95mm
00672	4	4	3.625		1.733	1	3.358	4.75

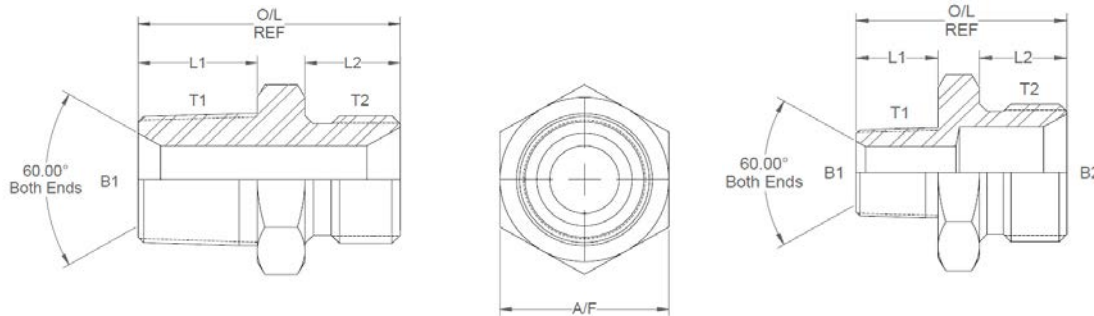
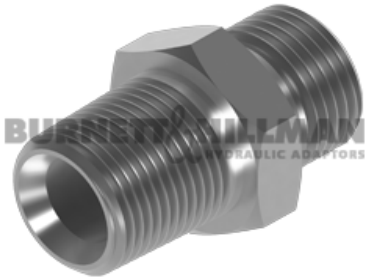
A/F dimensions are imperial unless stated.



	T1	T2	B1	B2	L1	L2	O/L	A/F
00600	1/8	1/8	3.48		9.65	11.18	25.91	14mm
00601	1/8	1/4	4.7		9.65	11.43	27.18	19mm
00602	1/8	3/8	4.78	7.92	9.65	13.21	29.97	22mm
00603	1/8	1/2	4.78	11.10	9.65	15.24	32.77	27mm
00604	1/4	1/8	6.35	3.48	14.22	11.18	33.02	14mm
00605	1/4	1/4	4.7		14.22	11.43	32.00	19mm
00606	1/4	3/8	6.35	7.92	14.22	13.21	33.78	22mm
00607	1/4	1/2	6.35	11.10	14.22	15.24	37.34	27mm
00608	1/4	3/4	6.35	18.24	14.22	19.05	41.15	32mm
00650	1/4	1	6.35	22.23	14.22	20.32	43.43	41mm
00609	3/8	1/8	9.53	4.75	14.22	11.18	33.02	0.687
00610	3/8	1/4	9.53	4.70	14.22	11.43	33.27	19mm
00611	3/8	3/8	7.92		14.22	13.21	35.05	22mm
00612	3/8	1/2	9.53	11.10	14.22	15.24	37.08	27mm
00613	3/8	5/8	9.53	15.06	14.22	17.78	40.13	30mm
00614	3/8	3/4	9.53	16.74	14.22	19.05	41.15	32mm
00660	3/8	1	9.53	22.23	14.22	20.32	43.43	41mm
00656	1/2	1/8	12.70	3.96	19.05	11.18	37.85	22mm
00615	1/2	1/4	12.70	4.70	19.05	11.43	38.10	22mm
00616	1/2	3/8	12.70	7.92	19.05	13.21	40.89	22mm

DESIGN DETAILS AND SPECIFICATIONS SUBJECT TO CHANGE WITHOUT PRIOR NOTICE - Whilst every effort has been made to ensure the accuracy of the information supplied herein, Burnett & Hillman cannot be held responsible for any errors or omissions (E&OE)

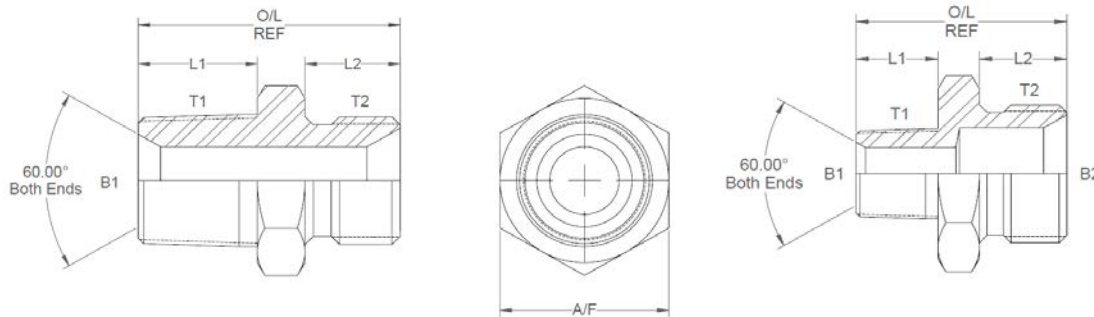
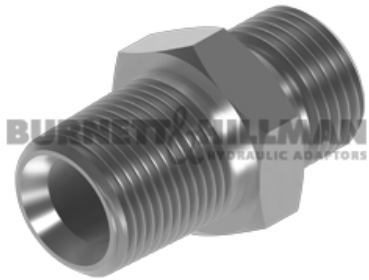
A/F dimensions are imperial unless stated.



	T1	T2	B1	B2	L1	L2	O/L	A/F
00617	1/2	1/2	11.1		19.05	15.24	41.91	27mm
00618	1/2	5/8	12.7	14.27	19.05	17.78	44.70	30mm
00619	1/2	3/4	12.7	18.24	19.05	19.05	45.97	32mm
00620	1/2	1	12.7	22.23	19.05	20.32	49.02	41mm
00621	3/4	1/4	17.45	6.35	19.05	11.43	39.37	27mm
00622	3/4	3/8	17.45	7.92	19.05	13.21	41.15	27mm
00623	3/4	1/2	17.45	11.10	19.05	15.24	43.18	27mm
00624	3/4	5/8	17.45	15.06	19.05	17.78	45.97	30mm
00625	3/4	3/4	16.74		19.05	19.05	46.99	32mm
00626	3/4	1	17.45	22.23	19.05	20.32	49.78	41mm
00627	3/4	1-1/4	17.45	28.58	19.05	20.32	50.80	50mm
00647	3/4	1-1/2	17.45	36.50	24.13	21.59	58.42	55mm
00628	1	1/4	21.41	4.70	24.64	11.43	45.72	1.375
00649	1	3/8	21.41	9.53	24.64	13.21	47.50	1.375
00629	1	1/2	21.41	11.10	24.64	15.24	52.58	1.375
00630	1	3/4	21.41	16.74	24.64	19.05	56.39	1.375
00631	1	1	22.23		24.64	20.32	54.61	41mm
00632	1	1-1/4	21.41	28.58	24.64	20.32	57.66	50mm
00633	1	1-1/2	21.41	33.32	24.64	21.59	58.93	55mm
00634	1	2	21.41	46.02	24.64	25.40	63.25	70mm

DESIGN DETAILS AND SPECIFICATIONS SUBJECT TO CHANGE WITHOUT PRIOR NOTICE - Whilst every effort has been made to ensure the accuracy of the information supplied herein, Burnett & Hillman cannot be held responsible for any errors or omissions (E&OE)

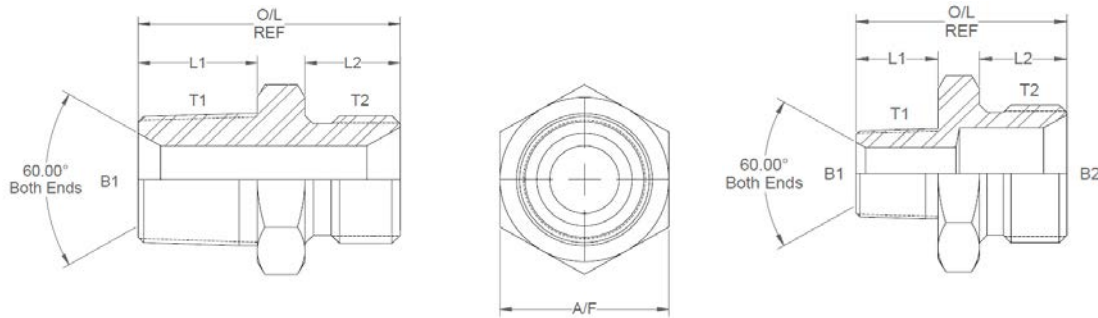
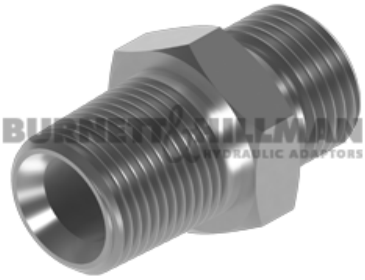
A/F dimensions are imperial unless stated.



	T1	T2	B1	B2	L1	L2	O/L	A/F
00635	1-1/4	3/4	30.56	16.74	24.64	19.05	55.12	1.75
00636	1-1/4	1	30.56	22.23	24.64	20.32	57.66	1.75
00637	1-1/4	1-1/4	28.58		24.64	20.32	57.66	50mm
00638	1-1/4	1-1/2	30.56	36.50	24.64	21.59	58.93	55mm
00639	1-1/4	2	30.56	46.02	24.64	25.40	62.74	70mm
00674	1-1/2	3/4	33.32	18.24	25.40	19.05	57.15	50mm
00640	1-1/2	1	33.32	22.23	25.40	20.32	58.42	50mm
00648	1-1/2	1-1/4	33.32	28.58	25.40	20.32	58.42	50mm
00641	1-1/2	1-1/2	33.32		25.40	21.59	59.69	55mm
00642	1-1/2	2	33.32	46.02	25.40	25.40	63.50	70mm
00673	2	3/4	46.02	16.74	26.16	19.05	59.18	65mm
00643	2	1	46.02	22.23	26.16	20.32	59.18	65mm
00653	2	1-1/4	46.02	28.58	26.16	20.32	60.45	65mm
00644	2	1-1/2	46.02	33.32	26.16	21.59	61.72	65mm
00645	2	2	46.02		26.16	25.40	65.53	70mm
00646	2	2-1/2	46.02	60.20	26.16	25.40	67.31	3.25
00670	2	3	46.02	69.85	26.16	25.40	67.82	95mm
00657	2-1/2	2	57.15	46.02	38.61	25.40	79.88	3.25
00654	2-1/2	2-1/2	57.15		38.61	25.40	79.88	3.25
00671	2-1/2	3	57.15	69.85	38.61	25.40	80.26	95mm

DESIGN DETAILS AND SPECIFICATIONS SUBJECT TO CHANGE WITHOUT PRIOR NOTICE - Whilst every effort has been made to ensure the accuracy of the information supplied herein, Burnett & Hillman cannot be held responsible for any errors or omissions (E&OE)

A/F dimensions are imperial unless stated.



	T1	T2	B1	B2	L1	L2	O/L	A/F
00658	3	2	66.55	46.02	40.64	25.40	3.23	90mm
00659	3	2-1/2	66.55	60.20	40.64	25.40	3.23	90mm
00655	3	3	66.55	69.85	40.64	25.40	3.23	95mm
00672	4	4	92.08		44.02	25.40	3.358	4.75