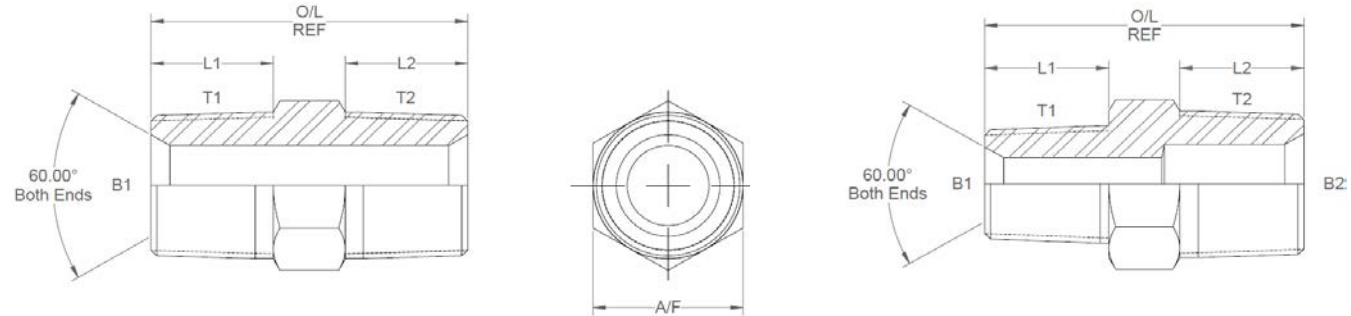


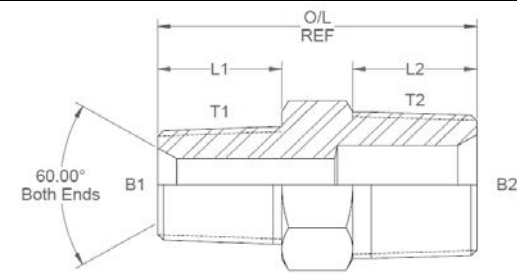
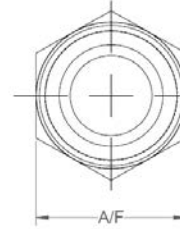
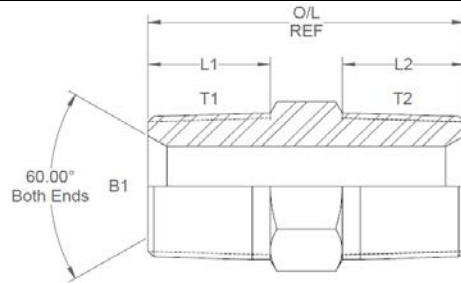
All dimensions are imperial unless stated.



	T1	T2	B1	B2	L1	L2	O/L	A/F
00675	1/8	1/8	0.188		0.38	0.38	1.06	0.437
00676	1/8	1/4	0.188	0.25	0.38	0.56	1.31	0.562
00700	1/8	3/8	0.188	0.375	0.38	0.56	1.31	0.687
00704	1/8	1/2	0.188	0.5	0.38	0.75	1.475	22mm
00677	1/4	1/4	0.25		0.56	0.56	1.45	0.562
00678	1/4	3/8	0.25	0.375	0.56	0.56	1.45	0.687
00681	1/4	1/2	0.25	0.5	0.56	0.75	1.67	22mm
00684	1/4	3/4	0.25	0.687	0.56	0.75	1.705	27mm
00699	1/4	1	0.25	0.843	0.56	0.97	1.925	1.375
00679	3/8	3/8	0.375		0.56	0.56	1.45	0.687
00680	3/8	1/2	0.375	0.5	0.56	0.75	1.67	22mm
00685	3/8	3/4	0.375	0.687	0.56	0.75	1.705	27mm
00708	3/8	1	0.375	0.843	0.56	0.97	1.93	1.375
00682	1/2	1/2	0.5		0.75	0.75	1.89	22mm
00686	1/2	3/4	0.5	0.687	0.75	0.75	1.925	27mm
00690	1/2	1	0.5	0.843	0.75	0.97	2.145	1.375
00705	1/2	1-1/4	0.5	1.203	0.75	0.97	2.185	1.75
00702	1/2	1-1/2	0.5	1.312	0.75	1	2.25	2.05
00688	3/4	3/4	0.687		0.75	0.75	1.96	27mm
00691	3/4	1	0.656	0.843	0.75	0.97	2.16	1.375

DESIGN DETAILS AND SPECIFICATIONS SUBJECT TO CHANGE WITHOUT PRIOR NOTICE - Whilst every effort has been made to ensure the accuracy of the information supplied herein, Burnett & Hillman cannot be held responsible for any errors or omissions (E&OE)

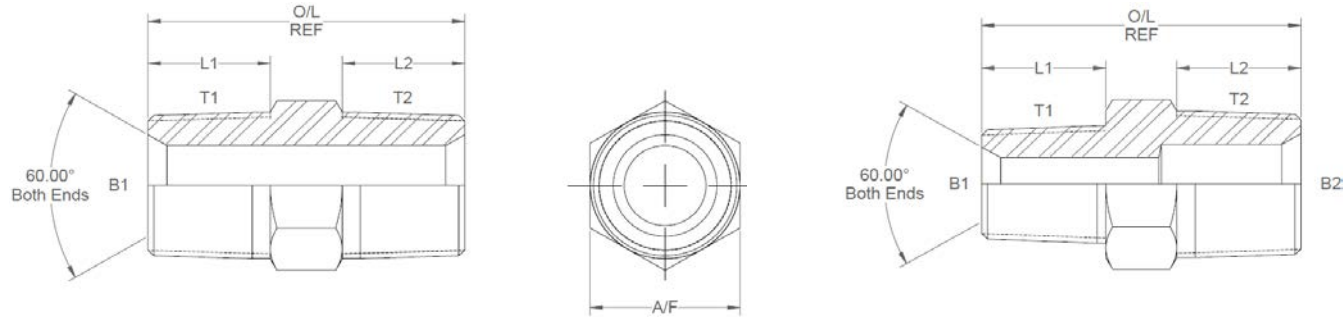
All dimensions are imperial unless stated.



	T1	T2	B1	B2	L1	L2	O/L	A/F
00689	3/4	1-1/4	0.656	1.203	0.75	0.97	2.22	1.75
00695	3/4	1-1/2	0.656	1.312	0.75	1	2.285	50mm
00692	1	1	0.843		0.97	0.97	2.34	1.375
00693	1	1-1/4	0.843	1.203	0.97	0.97	2.44	1.75
00701	1	1-1/2	0.843	1.312	0.97	1	2.505	50mm
00712	1	2	0.843	1.812	0.97	1.03	2.6	65mm
00694	1-1/4	1-1/4	1.203		0.97	0.97	2.48	1.75
00696	1-1/4	1-1/2	1.203	1.312	0.97	1	2.505	50mm
00706	1-1/4	2	1.203	1.812	0.97	1.03	2.65	65mm
00697	1-1/2	1-1/2	1.312		1	1	2.61	50mm
00703	1-1/2	2	1.312	1.812	1	1.03	2.715	65mm
00714	1-1/2	3	1.312	2.625	1	1.578	3.208	95mm
00698	2	2	1.812		1.03	1.03	2.82	65mm
00717	2	2-1/2	1.812	2.25	1.03	1.52	3.22	3.25
00711	2	3	1.812	2.625	1.03	1.578	3.238	90mm
00707	2-1/2	2-1/2	2.25		1.52	1.52	3.65	3.25
00713	2-1/2	3	2.25	2.625	1.52	1.578	3.728	90mm
00709	3	3	2.625		1.578	1.578	3.816	90mm
00710	4	4	3.625		1.733	1.733	4.266	120mm

DESIGN DETAILS AND SPECIFICATIONS SUBJECT TO CHANGE WITHOUT PRIOR NOTICE - Whilst every effort has been made to ensure the accuracy of the information supplied herein, Burnett & Hillman cannot be held responsible for any errors or omissions (E&OE)

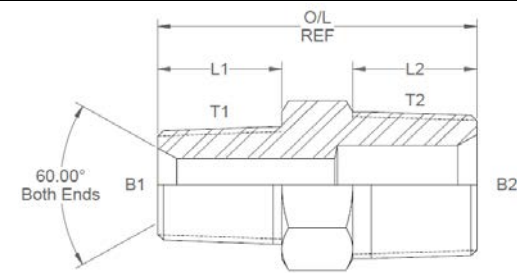
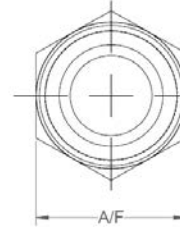
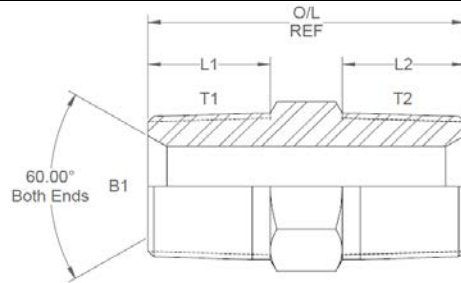
A/F dimensions are imperial unless stated.



	T1	T2	B1	B2	L1	L2	O/L	A/F
00675	1/8	1/8	4.78		9.65	9.65	26.92	0.437
00676	1/8	1/4	4.78	6.35	9.65	14.22	33.27	0.562
00700	1/8	3/8	4.78	9.53	9.65	14.22	33.27	0.687
00704	1/8	1/2	4.78	12.70	9.65	19.05	37.47	22mm
00677	1/4	1/4	6.35		14.22	14.22	36.83	0.562
00678	1/4	3/8	6.35	9.53	14.22	14.22	36.83	0.687
00681	1/4	1/2	6.35	12.70	14.22	19.05	42.42	22mm
00684	1/4	3/4	6.35	17.45	14.22	19.05	43.31	27mm
00699	1/4	1	6.35	21.41	14.22	24.64	48.90	1.375
00679	3/8	3/8	9.53		14.22	14.22	36.83	0.687
00680	3/8	1/2	9.53	12.70	14.22	19.05	42.42	22mm
00685	3/8	3/4	9.53	17.45	14.22	19.05	43.31	27mm
00708	3/8	1	9.53	21.41	14.22	24.64	49.02	1.375
00682	1/2	1/2	12.70		19.05	19.05	48.01	22mm
00686	1/2	3/4	12.70	17.45	19.05	19.05	48.90	27mm
00690	1/2	1	12.70	21.41	19.05	24.64	54.48	1.375
00705	1/2	1-1/4	12.70	30.56	19.05	24.64	55.50	1.75
00702	1/2	1-1/2	12.70	33.32	19.05	25.40	57.15	2.05
00688	3/4	3/4	17.45		19.05	19.05	49.78	27mm
00691	3/4	1	16.66	21.41	19.05	24.64	54.86	1.375

DESIGN DETAILS AND SPECIFICATIONS SUBJECT TO CHANGE WITHOUT PRIOR NOTICE - Whilst every effort has been made to ensure the accuracy of the information supplied herein, Burnett & Hillman cannot be held responsible for any errors or omissions (E&OE)

A/F dimensions are imperial unless stated.



	T1	T2	B1	B2	L1	L2	O/L	A/F
00689	3/4	1-1/4	16.66	30.56	19.05	24.64	56.39	1.75
00695	3/4	1-1/2	16.66	33.32	19.05	25.40	58.04	50mm
00692	1	1	21.41		24.64	24.64	59.44	1.375
00693	1	1-1/4	21.41	30.56	24.64	24.64	61.98	1.75
00701	1	1-1/2	21.41	33.32	24.64	25.40	63.63	50mm
00712	1	2	21.41	46.02	24.64	26.16	66.04	65mm
00694	1-1/4	1-1/4	30.56		24.64	24.64	62.99	1.75
00696	1-1/4	1-1/2	30.56	33.32	24.64	25.40	63.63	50mm
00706	1-1/4	2	30.56	46.02	24.64	26.16	67.31	65mm
00697	1-1/2	1-1/2	33.32		25.40	25.40	66.29	50mm
00703	1-1/2	2	33.32	46.02	25.40	26.16	68.96	65mm
00714	1-1/2	3	33.32	66.68	25.40	40.08	81.48	95mm
00698	2	2	46.02		26.16	26.16	71.63	65mm
00717	2	2-1/2	46.02	57.15	26.16	38.61	81.79	3.25
00711	2	3	46.02	66.68	26.16	40.08	82.25	90mm
00707	2-1/2	2-1/2	57.15		38.61	38.61	92.71	3.25
00713	2-1/2	3	57.15	66.68	38.61	40.08	94.69	90mm
00709	3	3	66.68		40.08	40.08	96.93	90mm
00710	4	4	92.08		44.02	44.02	108.36	120mm

DESIGN DETAILS AND SPECIFICATIONS SUBJECT TO CHANGE WITHOUT PRIOR NOTICE - Whilst every effort has been made to ensure the accuracy of the information supplied herein, Burnett & Hillman cannot be held responsible for any errors or omissions (E&OE)