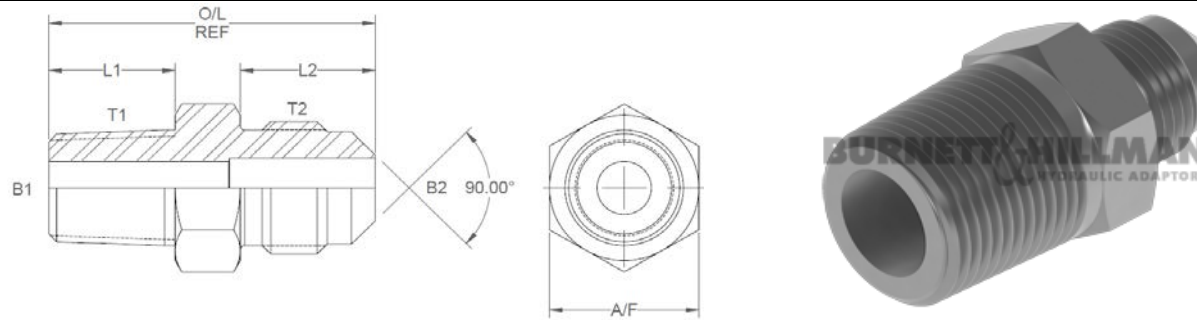
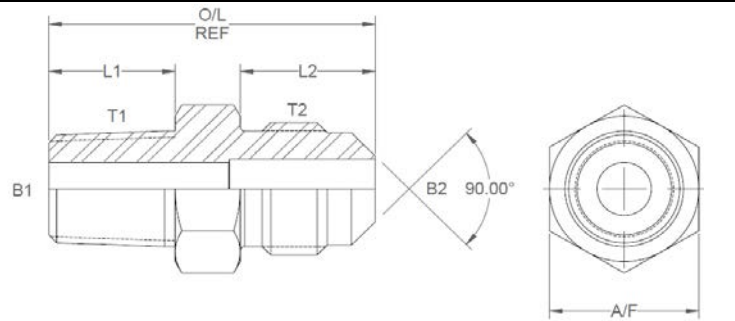


All dimensions are imperial unless stated.



| | T1 | T2 | B1 | B2 | L1 | L2 | O/L | A/F |
|-------|-----|-----|-------|-------|-------|------|-------|-------|
| 18053 | 1/8 | 5/8 | 0.187 | 0.281 | 0.437 | 0.62 | 1.377 | 0.687 |
| 18050 | 1/4 | 5/8 | 0.25 | 0.281 | 0.58 | 0.62 | 1.5 | 0.687 |
| 18051 | 3/8 | 5/8 | 0.375 | 0.281 | 0.59 | 0.62 | 1.53 | 0.687 |
| 18052 | 1/2 | 5/8 | 0.5 | 0.281 | 0.77 | 0.62 | 1.71 | 22mm |

A/F dimensions are imperial unless stated.



| | T1 | T2 | B1 | B2 | L1 | L2 | O/L | A/F |
|-------|-----|-----|------|------|-------|-------|-------|-------|
| 18053 | 1/8 | 5/8 | 4.75 | 7.14 | 11.10 | 15.75 | 1.377 | 0.687 |
| 18050 | 1/4 | 5/8 | 6.35 | 7.14 | 14.73 | 15.75 | 1.5 | 0.687 |
| 18051 | 3/8 | 5/8 | 9.53 | 7.14 | 14.99 | 15.75 | 1.53 | 0.687 |
| 18052 | 1/2 | 5/8 | 12.7 | 7.14 | 19.56 | 15.75 | 1.71 | 22mm |