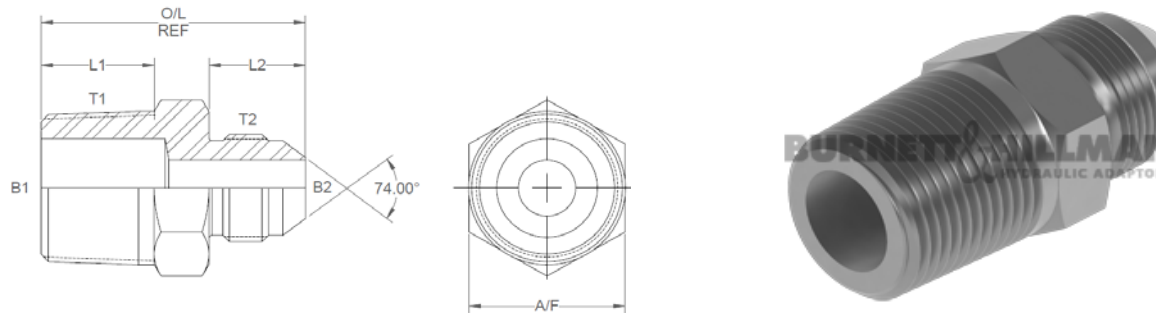


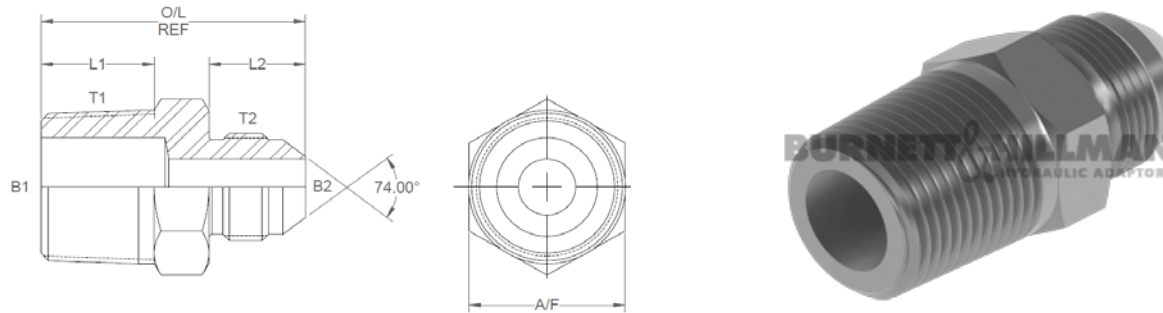
All dimensions are imperial unless stated.



	T1	T2	B1	B2	L1	L2	O/L	A/F
19300	1/8	7/16	0.172		0.41	0.55	1.18	0.5
19302	1/8	1/2	0.187	0.234	0.437	0.55	1.207	0.562
19301	1/8	9/16	0.187	0.297	0.437	0.556	1.223	0.625
19303	1/4	7/16	0.25	0.172	0.58	0.55	1.4	0.562
19305	1/4	1/2	0.25	0.234	0.58	0.55	1.43	0.562
19304	1/4	9/16	0.25	0.297	0.58	0.556	1.436	0.625
19317	1/4	3/4	0.25	0.391	0.58	0.657	1.547	0.812
19338	1/4	7/8	0	0	0	0	0	0
19306	3/8	7/16	0.372	0.172	0.67	0.55	1.54	0.687
19318	3/8	1/2	0.375	0.234	0.59	0.55	1.46	0.687
19307	3/8	9/16	0.297		0.59	0.556	1.446	0.687
19308	3/8	3/4	0.375	0.391	0.59	0.657	1.567	0.812
19319	3/8	7/8	0.375	0.484	0.59	0.758	1.668	1
19309	1/2	9/16	0.5	0.297	0.77	0.556	1.646	22mm
19311	1/2	3/4	0.5	0.391	0.87	0.657	1.847	22mm
19310	1/2	7/8	0.484		0.77	0.758	1.858	1
19312	1/2	1-1/16	0.5	0.609	0.87	0.864	2.109	1.125
19320	3/4	3/4	0.687	0.391	0.87	0.657	1.902	27mm
19321	3/4	7/8	0.687	0.484	0.77	0.758	1.908	27mm
19313	3/4	1-1/16	0.609		0.77	0.864	2.054	1.125

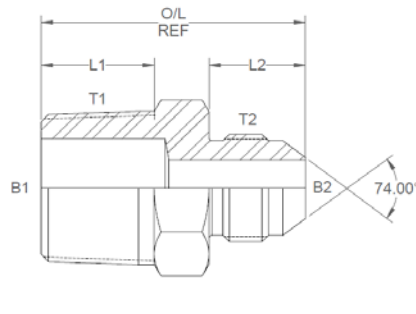
DESIGN DETAILS AND SPECIFICATIONS SUBJECT TO CHANGE WITHOUT PRIOR NOTICE - Whilst every effort has been made to ensure the accuracy of the information supplied herein, Burnett & Hillman cannot be held responsible for any errors or omissions (E&OE)

All dimensions are imperial unless stated.



	T1	T2	B1	B2	L1	L2	O/L	A/F
19314	3/4	1-3/16	0.687	0.719	0.87	0.89	2.18	1.25
19322	3/4	1-5/16	0.687	0.844	0.77	0.911	2.101	1.375
19323	1	3/4	0.875	0.391	1.08	0.657	2.237	1.375
19330	1	7/8	0.875	0.484	1.08	0.758	2.288	1.375
19315	1	1-1/16	0.875	0.609	0.99	0.864	2.354	1.375
19316	1	1-5/16	0.875	0.844	0.99	0.911	2.401	1.375
19327	1	1-5/8	0.875	1.078	0.99	0.958	2.448	1.75
19329	1-1/4	1-5/16	1.203	0.844	1	0.911	2.411	1.75
19324	1-1/4	1-5/8	1.203	1.078	1	0.958	2.458	1.75
19333	1-1/4	1-7/8	1.203	1.312	1.1	1.083	2.713	50mm
19328	1-1/2	1-5/8	1.312	1.078	1.17	0.958	2.628	50mm
19325	1-1/2	1-7/8	1.312		1.17	1.083	2.753	50mm
19331	2	1-7/8	1.812	1.312	1.18	1.083	2.763	65mm
19326	2	2-1/2	1.781		1.18	1.333	3.013	65mm

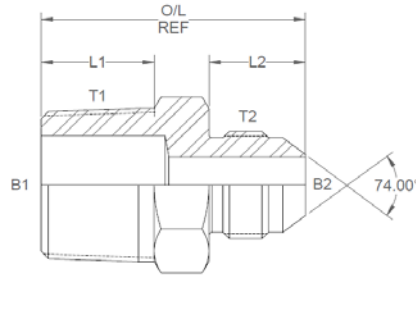
A/F dimensions are imperial unless stated.



	T1	T2	B1	B2	L1	L2	O/L	A/F
19300	1/8	7/16	4.37		10.41	13.97	29.97	0.5
19302	1/8	1/2	4.75	5.94	11.10	13.97	30.66	0.562
19301	1/8	9/16	4.75	7.54	11.10	14.12	31.06	0.625
19303	1/4	7/16	6.35	4.37	14.73	13.97	35.56	0.562
19305	1/4	1/2	6.35	5.94	14.73	13.97	36.32	0.562
19304	1/4	9/16	6.35	7.54	14.73	14.12	36.47	0.625
19317	1/4	3/4	6.35	9.93	14.73	16.69	39.29	0.812
19338	1/4	7/8	0	0	0	0	0	0
19306	3/8	7/16	9.45	4.37	17.02	13.97	39.12	0.687
19318	3/8	1/2	9.53	5.94	14.99	13.97	37.08	0.687
19307	3/8	9/16	7.54		14.99	14.12	36.73	0.687
19308	3/8	3/4	9.53	9.93	14.99	16.69	39.80	0.812
19319	3/8	7/8	9.53	12.29	14.99	19.25	42.37	1
19309	1/2	9/16	12.70	7.54	19.56	14.12	41.81	22mm
19311	1/2	3/4	12.70	9.93	22.10	16.69	46.91	22mm
19310	1/2	7/8	12.29		19.56	19.25	47.19	1
19312	1/2	1-1/16	12.70	15.47	22.10	21.95	53.57	1.125
19320	3/4	3/4	17.45	9.93	22.10	16.69	48.31	27mm
19321	3/4	7/8	17.45	12.29	19.56	19.25	48.46	27mm
19313	3/4	1-1/16	15.47		19.56	21.95	52.17	1.125

DESIGN DETAILS AND SPECIFICATIONS SUBJECT TO CHANGE WITHOUT PRIOR NOTICE - Whilst every effort has been made to ensure the accuracy of the information supplied herein, Burnett & Hillman cannot be held responsible for any errors or omissions (E&OE)

A/F dimensions are imperial unless stated.



	T1	T2	B1	B2	L1	L2	O/L	A/F
19314	3/4	1-3/16	17.45	18.26	22.10	22.61	55.37	1.25
19322	3/4	1-5/16	17.45	21.44	19.56	23.14	53.37	1.375
19323	1	3/4	22.23	9.93	27.43	16.69	56.82	1.375
19330	1	7/8	22.23	12.29	27.43	19.25	58.12	1.375
19315	1	1-1/16	22.23	15.47	25.15	21.95	59.79	1.375
19316	1	1-5/16	22.23	21.44	25.15	23.14	60.99	1.375
19327	1	1-5/8	22.23	27.38	25.15	24.33	62.18	1.75
19329	1-1/4	1-5/16	30.56	21.44	25.40	23.14	61.24	1.75
19324	1-1/4	1-5/8	30.56	27.38	25.40	24.33	62.43	1.75
19333	1-1/4	1-7/8	30.56	33.32	27.94	27.51	68.91	50mm
19328	1-1/2	1-5/8	33.32	27.38	29.72	24.33	66.75	50mm
19325	1-1/2	1-7/8	33.32		29.72	27.51	69.93	50mm
19331	2	1-7/8	46.02	33.32	29.97	27.51	70.18	65mm
19326	2	2-1/2	45.24		29.97	33.86	76.53	65mm