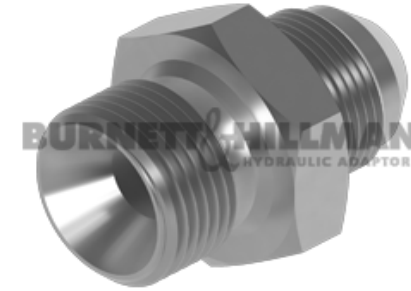
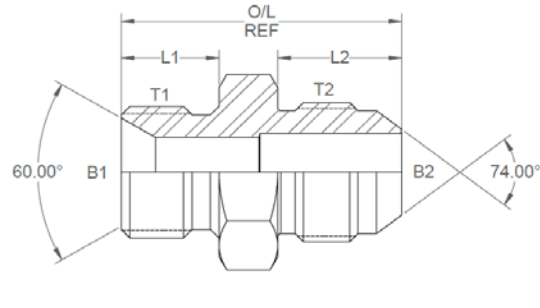


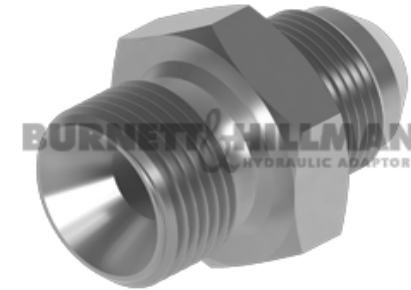
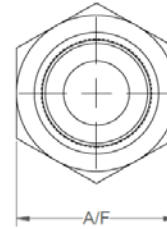
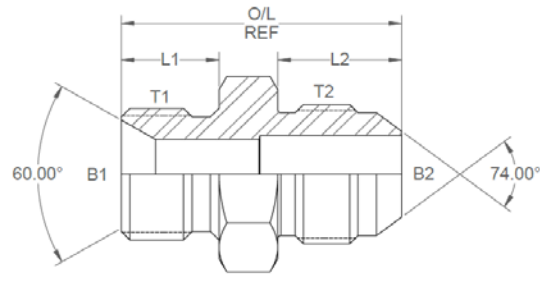
All dimensions are imperial unless stated.



	T1	T2	B1	B2	L1	L2	O/L	A/F
01164	1/8	3/8	0.137	0.125	0.44	0.479	1.178	14mm
01101	1/8	7/16	0.137	0	0.44	0.55	1.21	14mm
01102	1/8	1/2	0.137	0.234	0.44	0.55	1.24	14mm
01100	1/8	9/16	0.156	0.297	0.44	0.556	1.266	0.625
01160	1/4	5/16	0.25	0.062	0.45	0.448	1.173	19mm
01163	1/4	3/8	0.185	0.125	0.45	0.479	1.179	19mm
01103	1/4	7/16	0.185	0.172	0.45	0.55	1.25	19mm
01104	1/4	1/2	0.185	0	0.45	0.54	1.25	19mm
01105	1/4	9/16	0.185	0.297	0.45	0.556	1.276	19mm
01106	1/4	3/4	0.185	0.391	0.45	0.657	1.417	0.812
01107	1/4	7/8	0.25	0.484	0.45	0.758	1.508	1
01155	1/4	1-1/16	0.185	0.609	0.45	0.864	1.724	1.125
01168	1/4	1-3/16	0.25	0.719	0.45	0.89	1.75	1.25
01108	1/4	1-5/16	0.185	0.844	0.45	0.911	1.771	1.375
01170	3/8	3/8	0.375	0.125	0.52	0.479	1.25	22mm
01109	3/8	7/16	0.312	0.172	0.52	0.55	1.32	22mm
01110	3/8	1/2	0.375	0.234	0.52	0.55	1.32	22mm
01111	3/8	9/16	0.312	0.297	0.52	0.556	1.346	22mm
01112	3/8	3/4	0.312	0.391	0.52	0.657	1.487	22mm
01113	3/8	7/8	0.312	0.484	0.52	0.758	1.58	1

DESIGN DETAILS AND SPECIFICATIONS SUBJECT TO CHANGE WITHOUT PRIOR NOTICE - Whilst every effort has been made to ensure the accuracy of the information supplied herein, Burnett & Hillman cannot be held responsible for any errors or omissions (E&OE)

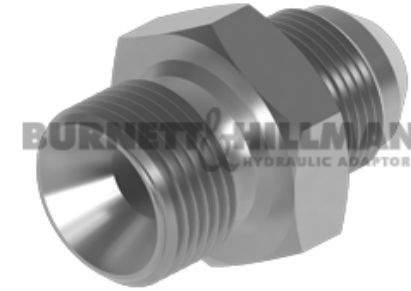
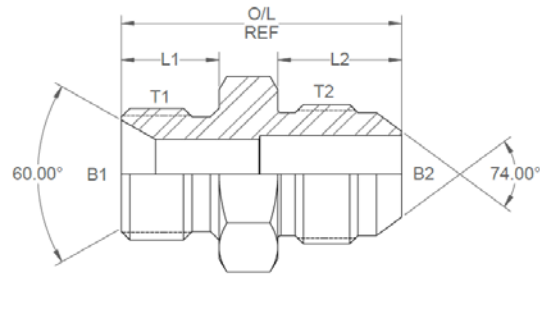
All dimensions are imperial unless stated.



	T1	T2	B1	B2	L1	L2	O/L	A/F
01114	3/8	1-1/16	0.312	0.609	0.52	0.864	1.794	1.125
01115	3/8	1-5/16	0.375	0.844	0.52	0.911	1.841	1.375
01116	1/2	7/16	0.437	0.172	0.6	0.55	1.4	27mm
01117	1/2	1/2	0.437	0.234	0.6	0.55	1.4	27mm
01118	1/2	9/16	0.437	0.297	0.6	0.556	1.426	27mm
01119	1/4	3/4	0.437	0.391	0.6	0.657	1.657	27mm
01120	1/2	7/8	0.437	0.539	0.6	0.758	1.718	27mm
01121	1/2	1-1/16	0.437	0.609	0.6	0.864	1.874	1.125
01174	1/2	1-3/16	0.5	0.719	0.6	0.89	1.9	32mm
01122	1/2	1-5/16	0.437	0.844	0.6	0.911	1.921	1.375
01180	5/8	7/16	0.562	0.172	0.7	0.55	1.56	30mm
01181	5/8	1/2	0.562	0.234	0.7	0.55	1.56	30mm
01123	5/8	9/16	0.562	0.297	0.7	0.556	1.576	30mm
01124	5/8	3/4	0.562	0.391	0.7	0.657	1.667	30mm
01125	5/8	7/8	0.562	0.484	0.7	0.758	1.778	30mm
01126	5/8	1-1/16	0.562	0.609	0.7	0.864	1.974	30mm
01127	5/8	1-3/16	0.593	0.719	0.7	0.89	2	1.25
01128	5/8	1-5/16	0.593	0.844	0.7	0.911	2.021	1.375
01182	5/8	1-5/8	0.562	1.078	0.7	0.958	2.106	1.75
01129	3/4	7/16	0.659	0.172	0.75	0.55	1.61	32mm

DESIGN DETAILS AND SPECIFICATIONS SUBJECT TO CHANGE WITHOUT PRIOR NOTICE - Whilst every effort has been made to ensure the accuracy of the information supplied herein, Burnett & Hillman cannot be held responsible for any errors or omissions (E&OE)

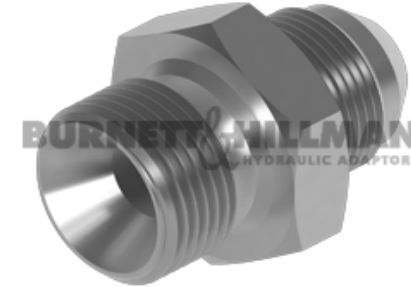
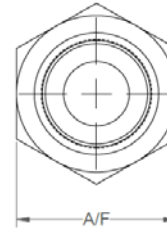
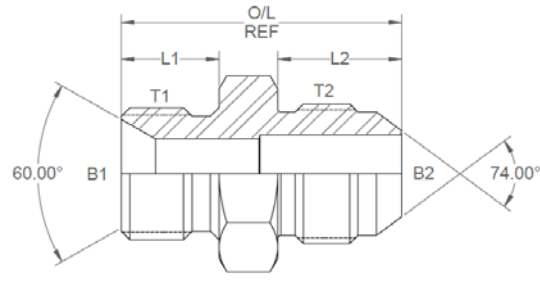
All dimensions are imperial unless stated.



	T1	T2	B1	B2	L1	L2	O/L	A/F
01130	3/4	1/2	0.659	0.234	0.75	0.55	1.62	32mm
01150	3/4	9/16	0.659	0.297	0.75	0.556	1.616	32mm
01131	3/4	3/4	0.659	0.391	0.75	0.657	1.717	32mm
01132	3/4	7/8	0.659	0.484	0.75	0.758	1.868	32mm
01133	3/4	1-1/16	0.659	0.609	0.75	0.864	2.024	32mm
01134	3/4	1-3/16	0.659	0.719	0.75	0.89	2.05	32mm
01135	3/4	1.5/16	0.659	0.844	0.75	0.911	2.071	1.375
01148	3/4	1-5/8	0.659	1.078	0.75	0.958	2.118	1.75
01158	3/4	1-7/8	0.659	1.312	0.75	1.083	2.373	50mm
01169	1	9/16	0.875	0.27	0.8	0.556	1.706	41mm
01136	1	3/4	0.875	0.391	0.8	0.657	1.807	41mm
01137	1	7/8	0.875	0.484	0.8	0.758	1.908	41mm
01138	1	1-1/16	0.875	0.609	0.8	0.864	2.07	41mm
01139	1	1-3/16	0.875	0.719	0.8	0.89	2.1	41mm
01140	1	1-5/16	0.875	0.844	0.8	0.911	2.121	41mm
01141	1	1-5/8	0.875	1.078	0.8	0.958	2.168	1.75
01156	1	1-7/8	0.875	1.312	0.8	1.083	2.293	50mm
01151	1	2-1/2	0.875	1.781	0.8	1.333	2.813	70mm
01142	1-1/4	1-1/16	1.125	0.609	0.8	0.864	2.074	50mm
01143	1-1/4	1-5/16	1.125	0.844	0.8	0.911	2.121	50mm

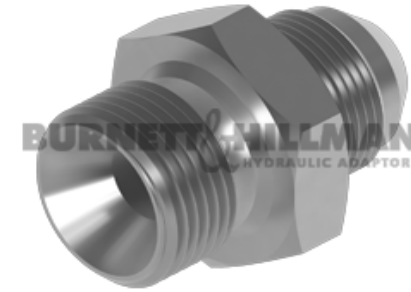
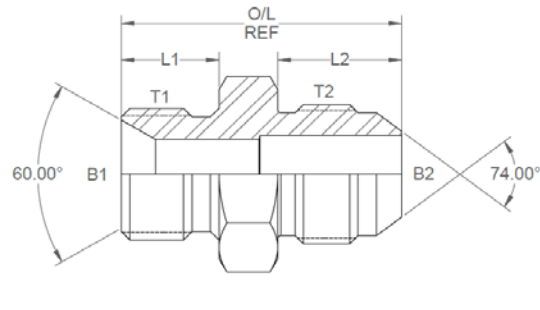
DESIGN DETAILS AND SPECIFICATIONS SUBJECT TO CHANGE WITHOUT PRIOR NOTICE - Whilst every effort has been made to ensure the accuracy of the information supplied herein, Burnett & Hillman cannot be held responsible for any errors or omissions (E&OE)

All dimensions are imperial unless stated.



	T1	T2	B1	B2	L1	L2	O/L	A/F
01144	1-1/4	1-5/8	1.125	1.078	0.8	0.958	2.168	50mm
01145	1-1/4	1-7/8	1.125	1.312	0.8	1.083	2.423	50mm
01152	1-1/4	2-1/2	1.125	1.781	0.8	1.333	2.683	65mm
01159	1-1/2	1-1/16	1.312	0.609	0.85	0.864	2.164	55mm
01149	1-1/2	1-5/16	1.312	0.844	0.85	0.911	2.211	55mm
01154	1-1/2	1-5/8	1.437	1.078	0.85	0.958	2.328	55mm
01146	1-1/2	1-7/8	1.312	0	0.85	1.083	2.433	55mm
01153	1-1/2	2-1/2	1.312	1.781	0.85	1.333	2.863	65mm
01162	2	1-5/16	1.812	0.844	1	0.911	2.461	70mm
01175	2	1-5/8	1.812	1.078	1	0.958	2.457	70mm
01157	2	1-7/8	1.812	1.312	1	1.083	2.633	70mm
01147	2	2-1/2	1.781	0	1	1.333	3.013	70mm
01179	2-1/2	1-7/8	2.37	1.312	1	1.083	2.7	3.25
01165	3	1-7/8	0	0	0	0	0	0
01166	3	2-1/2	2.75	1.781	1	1.33	3.013	95mm
01167	3-1/2	2-1/2	0	0	0	0	0	0

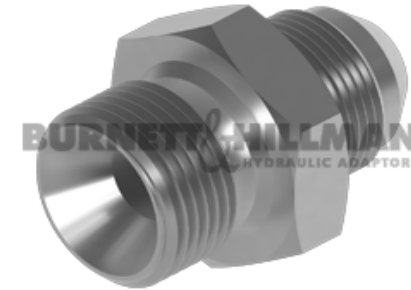
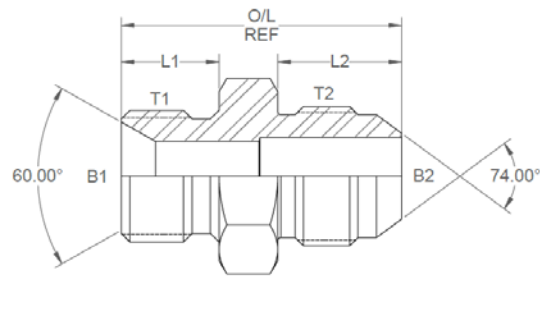
A/F dimensions are imperial unless stated.



	T1	T2	B1	B2	L1	L2	O/L	A/F
01164	1/8	3/8	3.48	3.18	11.18	12.17	29.92	14mm
01101	1/8	7/16	3.48	0.00	11.18	13.97	30.73	14mm
01102	1/8	1/2	3.48	5.94	11.18	13.97	31.50	14mm
01100	1/8	9/16	3.96	7.54	11.18	14.12	32.16	0.625
01160	1/4	5/16	6.35	1.57	11.43	11.38	29.79	19mm
01163	1/4	3/8	4.7	3.18	11.43	12.17	29.95	19mm
01103	1/4	7/16	4.70	4.37	11.43	13.97	31.75	19mm
01104	1/4	1/2	4.70	0.00	11.43	13.72	31.75	19mm
01105	1/4	9/16	4.70	7.54	11.43	14.12	32.41	19mm
01106	1/4	3/4	4.70	9.93	11.43	16.69	35.99	0.812
01107	1/4	7/8	6.35	12.29	11.43	19.25	38.30	1
01155	1/4	1-1/16	4.70	15.47	11.43	21.95	43.79	1.125
01168	1/4	1-3/16	6.35	18.26	11.43	22.61	44.45	1.25
01108	1/4	1-5/16	4.70	21.44	11.43	23.14	44.98	1.375
01170	3/8	3/8	9.53	3.18	13.21	12.17	31.75	22mm
01109	3/8	7/16	7.92	4.37	13.21	13.97	33.53	22mm
01110	3/8	1/2	9.53	5.94	13.21	13.97	33.53	22mm
01111	3/8	9/16	7.92	7.54	13.21	14.12	34.19	22mm
01112	3/8	3/4	7.92	9.93	13.21	16.69	37.77	22mm
01113	3/8	7/8	7.92	12.29	13.21	19.25	40.13	1

DESIGN DETAILS AND SPECIFICATIONS SUBJECT TO CHANGE WITHOUT PRIOR NOTICE - Whilst every effort has been made to ensure the accuracy of the information supplied herein, Burnett & Hillman cannot be held responsible for any errors or omissions (E&OE)

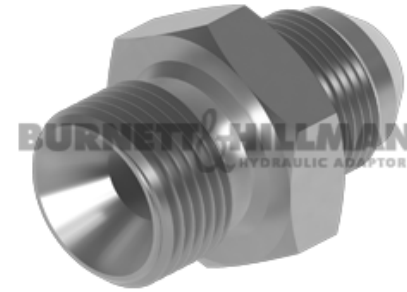
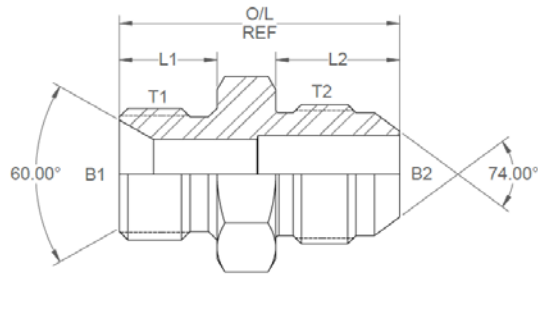
A/F dimensions are imperial unless stated.



	T1	T2	B1	B2	L1	L2	O/L	A/F
01114	3/8	1-1/16	7.92	15.47	13.21	21.95	45.57	1.125
01115	3/8	1-5/16	9.53	21.44	13.21	23.14	46.76	1.375
01116	1/2	7/16	11.1	4	15	14	36	27mm
01117	1/2	1/2	11.1	6	15	14	36	27mm
01118	1/2	9/16	11.1	7.54	15.24	14.12	36.22	27mm
01119	1/4	3/4	11.1	9.93	15.24	16.69	42.09	27mm
01120	1/2	7/8	11.10	13.69	15.24	19.25	43.64	27mm
01121	1/2	1-1/16	11.10	15.47	15.24	21.95	47.60	1.125
01174	1/2	1-3/16	12.70	18.26	15.24	22.61	48.26	32mm
01122	1/2	1-5/16	11	21	15	23	49	1.375
01180	5/8	7/16	14.27	4.37	17.78	13.97	39.62	30mm
01181	5/8	1/2	14.27	5.94	17.78	13.97	39.62	30mm
01123	5/8	9/16	14.27	7.54	17.78	14.12	40.03	30mm
01124	5/8	3/4	14.27	9.93	17.78	16.69	42.34	30mm
01125	5/8	7/8	14	12	18	19	45	30mm
01126	5/8	1-1/16	14	15	18	22	50	30mm
01127	5/8	1-3/16	15.06	18.26	17.78	22.61	50.80	1.25
01128	5/8	1-5/16	15.06	21.44	17.78	23.14	51.33	1.375
01182	5/8	1-5/8	14.27	27.38	17.78	24.33	53.49	1.75
01129	3/4	7/16	16.74	4.37	19.05	13.97	40.89	32mm

DESIGN DETAILS AND SPECIFICATIONS SUBJECT TO CHANGE WITHOUT PRIOR NOTICE - Whilst every effort has been made to ensure the accuracy of the information supplied herein, Burnett & Hillman cannot be held responsible for any errors or omissions (E&OE)

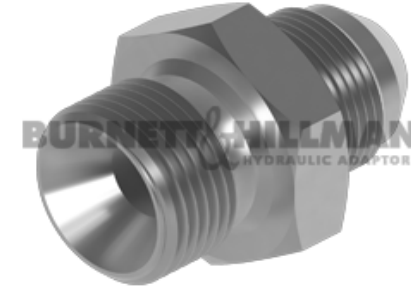
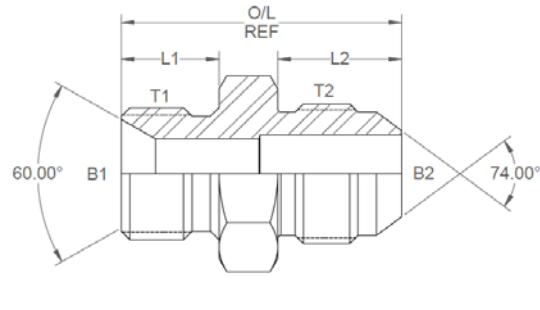
A/F dimensions are imperial unless stated.



	T1	T2	B1	B2	L1	L2	O/L	A/F
01130	3/4	1/2	16.74	5.94	19.05	13.97	41.15	32mm
01150	3/4	9/16	16.74	7.54	19.05	14.12	41.05	32mm
01131	3/4	3/4	16.74	9.93	19.05	16.69	43.61	32mm
01132	3/4	7/8	16.74	12.29	19.05	19.25	47.45	32mm
01133	3/4	1-1/16	16.74	15.47	19.05	21.95	51.41	32mm
01134	3/4	1-3/16	16.74	18.26	19.05	22.61	52.07	32mm
01135	3/4	1.5/16	16.74	21.44	19.05	23.14	52.60	1.375
01148	3/4	1-5/8	16.74	27.38	19.05	24.33	53.80	1.75
01158	3/4	1-7/8	16.74	33.32	19.05	27.51	60.27	50mm
01169	1	9/16	22.23	6.86	20.32	14.12	43.33	41mm
01136	1	3/4	22.23	9.93	20.32	16.69	45.90	41mm
01137	1	7/8	22.23	12.29	20.32	19.25	48.46	41mm
01138	1	1-1/16	22.23	15.47	20.32	21.95	52.58	41mm
01139	1	1-3/16	22.23	18.26	20.32	22.61	53.34	41mm
01140	1	1-5/16	22.23	21.44	20.32	23.14	53.87	41mm
01141	1	1-5/8	22.23	27.38	20.32	24.33	55.07	1.75
01156	1	1-7/8	22.23	33.32	20.32	27.51	58.24	50mm
01151	1	2-1/2	22.23	45.24	20.32	33.86	71.45	70mm
01142	1-1/4	1-1/16	28.58	15.47	20.32	21.95	52.68	50mm
01143	1-1/4	1-5/16	28.58	21.44	20.32	23.14	53.87	50mm

DESIGN DETAILS AND SPECIFICATIONS SUBJECT TO CHANGE WITHOUT PRIOR NOTICE - Whilst every effort has been made to ensure the accuracy of the information supplied herein, Burnett & Hillman cannot be held responsible for any errors or omissions (E&OE)

A/F dimensions are imperial unless stated.



	T1	T2	B1	B2	L1	L2	O/L	A/F
01144	1-1/4	1-5/8	28.58	27.38	20.32	24.33	55.07	50mm
01145	1-1/4	1-7/8	28.58	33.32	20.32	27.51	61.54	50mm
01152	1-1/4	2-1/2	28.58	45.24	20.32	33.86	68.15	65mm
01159	1-1/2	1-1/16	33.32	15.47	21.59	21.95	54.97	55mm
01149	1-1/2	1-5/16	33.32	21.44	21.59	23.14	56.16	55mm
01154	1-1/2	1-5/8	36.5	27.38	21.59	24.33	59.13	55mm
01146	1-1/2	1-7/8	33.32	0.00	21.59	27.51	61.80	55mm
01153	1-1/2	2-1/2	33.32	45.24	21.59	33.86	72.72	65mm
01162	2	1-5/16	46.02	21.44	25.40	23.14	62.51	70mm
01175	2	1-5/8	46.02	27.38	25.40	24.33	62.41	70mm
01157	2	1-7/8	46.02	33.32	25.40	27.51	66.88	70mm
01147	2	2-1/2	45.24	0.00	25.40	33.86	76.53	70mm
01179	2-1/2	1-7/8	60.20	33.32	25.40	27.51	68.58	3.25
01165	3	1-7/8	0.00	0.00	0.00	0.00	0.00	0
01166	3	2-1/2	69.85	45.24	25.40	33.78	76.53	95mm
01167	3-1/2	2-1/2	0.00	0.00	0.00	0.00	0.00	0