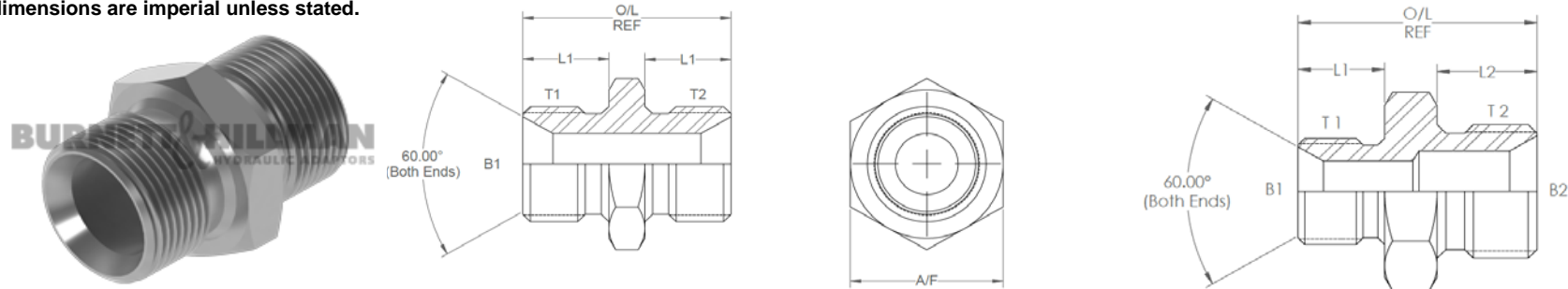


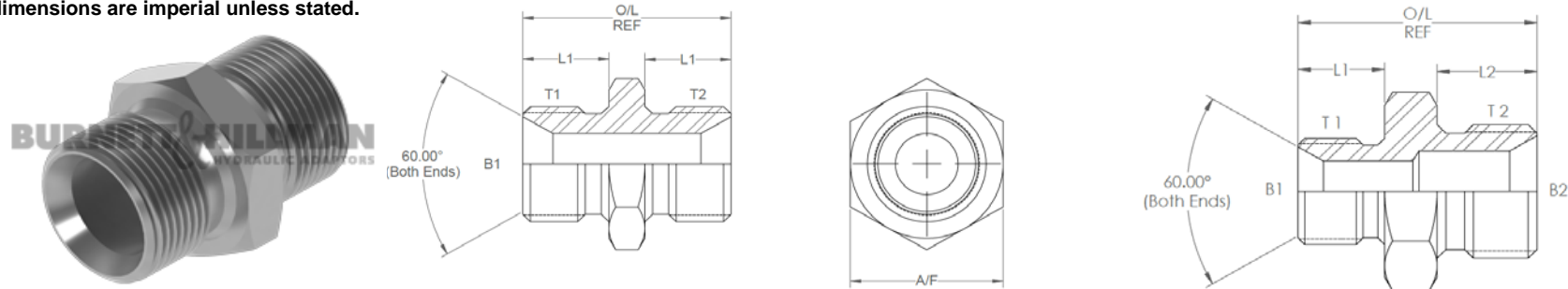
All dimensions are imperial unless stated.



	T1	T2	B1	B2	L1	L2	O/L	A/F
00001	1/8	1/8	0.137		0.44	0.44	1.08	14mm
00002	1/8	1/4	0.137	0.185	0.44	0.45	1.13	19mm
00003	1/8	3/8	0.137	0.312	0.44	0.52	1.18	22mm
00004	1/8	1/2	0.137	0.437	0.44	0.6	1.29	27mm
00005	1/4	1/4	0.185		0.45	0.45	1.15	19mm
00006	1/4	3/8	0.185	0.312	0.45	0.52	1.19	22mm
00007	1/4	1/2	0.185	0.437	0.45	0.6	1.3	27mm
00008	1/4	5/8	0.25	0.593	0.45	0.7	1.45	30mm
00009	1/4	3/4	0.185	0.659	0.45	0.75	1.51	32mm
00010	1/4	1	0.185	0.875	0.45	0.8	1.6	41mm
00011	1/4	1-1/4	0.25	1.203	0.7	0.8	1.925	50mm
00012	1/4	1-1/2	0.25	1.437	0.812	0.85	2.162	55mm
00013	1/4	2	0.185	1.812	0.7	1	2.25	70mm
00014	3/8	3/8	0.312		0.52	0.52	1.26	22mm
00015	3/8	1/2	0.312	0.437	0.52	0.6	1.37	27mm
00016	3/8	5/8	0.312	0.562	0.52	0.7	1.5	30mm
00017	3/8	3/4	0.312	0.659	0.52	0.75	1.58	32mm
00018	3/8	1	0.312	0.875	0.52	0.8	1.67	41mm
00019	3/8	1-1/4	0.312	1.125	0.65	0.8	1.89	50mm
00020	3/8	1-1/2	0.342	1.437	0.812	0.85	2.162	55mm

DESIGN DETAILS AND SPECIFICATIONS SUBJECT TO CHANGE WITHOUT PRIOR NOTICE - Whilst every effort has been made to ensure the accuracy of the information supplied herein, Burnett & Hillman cannot be held responsible for any errors or omissions (E&OE)

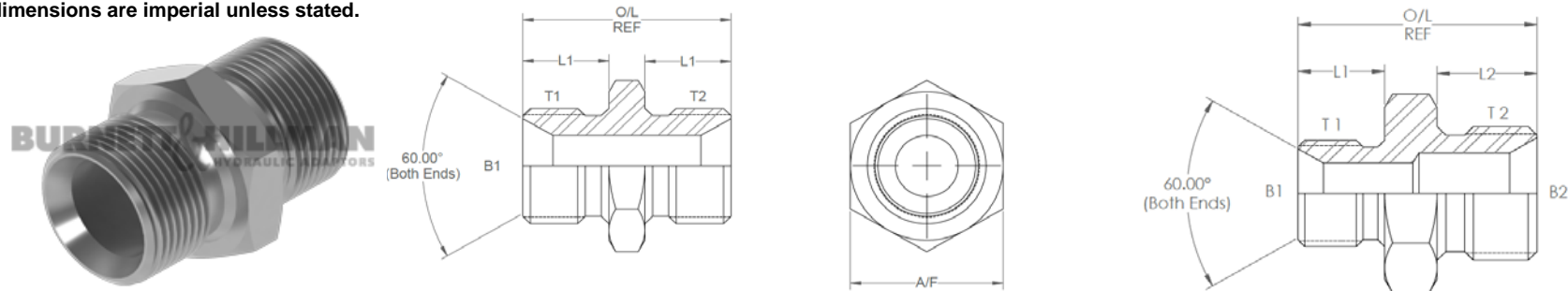
All dimensions are imperial unless stated.



	T1	T2	B1	B2	L1	L2	O/L	A/F
00060	3/8	2	0.312	1.812	0.65	1	2.893	70mm
00021	1/2	1/2	0.437		0.6	0.6	1.45	27mm
00022	1/2	5/8	0.437	0.562	0.6	0.7	1.58	30mm
00023	1/2	3/4	0.437	0.659	0.6	0.75	1.66	32mm
00024	1/2	1	0.437	0.875	0.6	0.8	1.75	41mm
00025	1/2	1-1/4	0.437	1.125	0.6	0.8	1.8	50mm
00026	1/2	1-1/2	0.437	1.312	0.6	0.85	1.9	55mm
00027	1/2	2	0.437	1.812	0.6	1	2.1	70mm
00028	5/8	5/8	0.562		0.7	0.7	1.68	30mm
00029	5/8	3/4	0.562	0.659	0.7	0.75	1.76	32mm
00030	5/8	1	0.593	0.875	0.7	0.8	1.85	41mm
00031	5/8	1-1/4	0.562	1.125	0.7	0.8	1.85	50mm
00069	5/8	1-1/2	0.593	1.437	0.7	0.85	2.05	55mm
00032	3/4	3/4	0.659		0.75	0.75	1.81	32mm
00033	3/4	1	0.659	0.875	0.75	0.8	1.9	41mm
00034	3/4	1-1/4	0.659	1.125	0.75	0.8	1.95	50mm
00035	3/4	1-1/4	0.659	1.312	0.75	0.85	2.05	55mm
00036	3/4	2	0.659	1.812	0.75	1	2.28	70mm
00037	1	1	0.875		0.8	0.8	1.95	41mm
00038	1	1-1/4	0.875	1.125	0.8	0.8	2	50mm

DESIGN DETAILS AND SPECIFICATIONS SUBJECT TO CHANGE WITHOUT PRIOR NOTICE - Whilst every effort has been made to ensure the accuracy of the information supplied herein, Burnett & Hillman cannot be held responsible for any errors or omissions (E&OE)

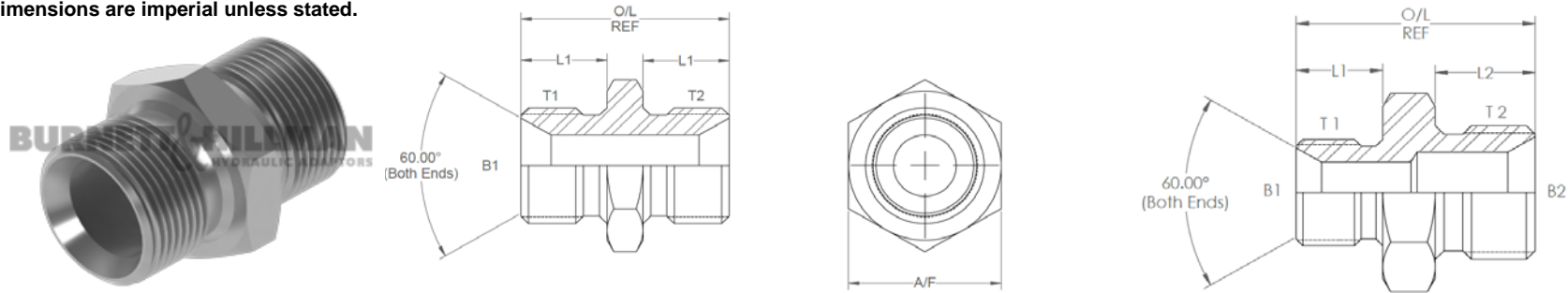
All dimensions are imperial unless stated.



	T1	T2	B1	B2	L1	L2	O/L	A/F
00039	1	1-1/2	0.875	1.312	0.8	0.85	2.1	55mm
00040	1	2	0.875	1.812	0.8	1	2.3	70mm
00051	1	2-2/2	0.875	2.37	0.8	1	2.42	3.25
00042	1-1/4	1-1/4	1.125		0.8	0.8	2	50mm
00043	1-1/4	1-1/2	1.125	1.312	0.8	0.85	2.1	55mm
00044	1-1/4	2	1.125	1.812	0.8	1	2.3	70mm
00041	1-1/4	2-1/2	1.203	2.37	0.8	1	2.42	3.25
00045	1-1/2	1-1/2	1.312	0	0.85	0.85	2.15	55mm
00046	1-1/2	1-3/4	1.312	1.547	0.85	1	2.35	65mm
00047	1-1/2	2	1.312	1.812	0.85	1	2.35	70mm
00048	1-1/2	2-1/2	1.312	2.37	0.85	1	2.47	3.25
00057	1-3/4	1-3/4	1.547	0	1	1	2.5	70mm
00049	1-3/4	2	1.547	1.812	1	1	2.5	70mm
00058	1-3/4	2-1/2	1.547	2.37	1	1	2.62	3.25
00050	2	2	1.812	0	1	1	2.5	70mm
00053	2	2-1/2	1.812	2.37	1	1	2.62	3.25
00056	2	3	1.812	2.75	1	1	2.62	95mm
00063	2	4	1.812	3.75	1	1	2.62	4.75
00052	2-1/2	2-1/2	2.37	0	1	1	2.62	3.25
00054	2-1/2	3	2.37	2.75	1	1	2.62	95mm

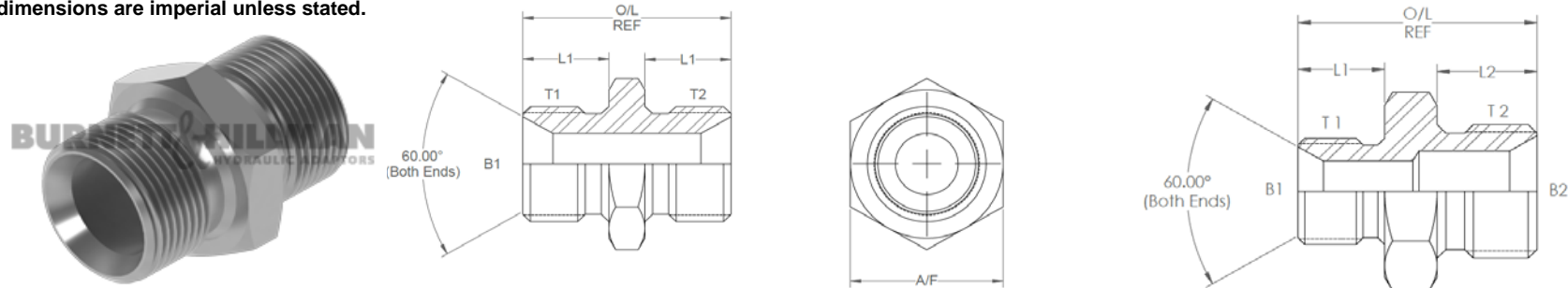
DESIGN DETAILS AND SPECIFICATIONS SUBJECT TO CHANGE WITHOUT PRIOR NOTICE - Whilst every effort has been made to ensure the accuracy of the information supplied herein, Burnett & Hillman cannot be held responsible for any errors or omissions (E&OE)

All dimensions are imperial unless stated.



	T1	T2	B1	B2	L1	L2	O/L	A/F
00055	3	3	2.75	0	1	1	2.62	95mm
00065	3	3-1/2	2.75	3.25	1	1	2.62	4.25
00064	3	4	2.75	3.75	1	1	2.62	4.75
00061	3-1/2	4	3.25	3.75	1	1	2.62	4.75
00062	4	4	3.75	0	1	1	2.62	4.75

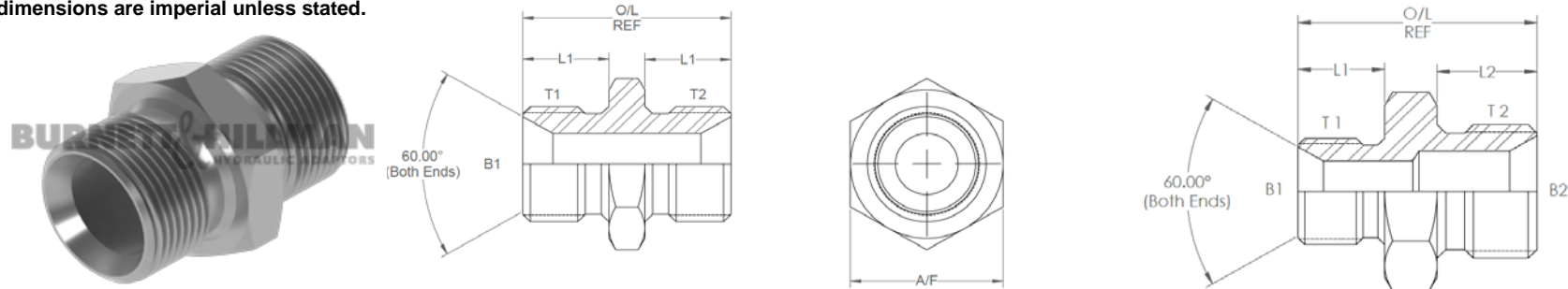
A/F dimensions are imperial unless stated.



	T1	T2	B1	B2	L1	L2	O/L	A/F
00001	1/8	1/8	3.48		11.18	11.18	27.43	14mm
00002	1/8	1/4	3.48	4.70	11.18	11.43	28.70	19mm
00003	1/8	3/8	3.48	7.92	11.18	13.21	29.97	22mm
00004	1/8	1/2	3.48	11.10	11.18	15.24	32.77	27mm
00005	1/4	1/4	4.7		11.43	11.43	29.21	19mm
00006	1/4	3/8	4.7	7.92	11.43	13.21	30.23	22mm
00007	1/4	1/2	4.70	11.10	11.43	15.24	33.02	27mm
00008	1/4	5/8	6.35	15.06	11.43	17.78	36.83	30mm
00009	1/4	3/4	4.70	16.74	11.43	19.05	38.35	32mm
00010	1/4	1	4.70	22.23	11.43	20.32	40.64	41mm
00011	1/4	1-1/4	6.35	30.56	17.78	20.32	48.90	50mm
00012	1/4	1-1/2	6.35	36.50	20.62	21.59	54.91	55mm
00013	1/4	2	4.70	46.02	17.78	25.40	57.15	70mm
00014	3/8	3/8	7.92		13.21	13.21	32.00	22mm
00015	3/8	1/2	7.92	11.10	13.21	15.24	34.80	27mm
00016	3/8	5/8	7.92	14.27	13.21	17.78	38.10	30mm
00017	3/8	3/4	7.92	16.74	13.21	19.05	40.13	32mm
00018	3/8	1	7.92	22.23	13.21	20.32	42.42	41mm
00019	3/8	1-1/4	7.92	28.58	16.51	20.32	48.01	50mm
00020	3/8	1-1/2	8.69	36.50	20.62	21.59	54.91	55mm

DESIGN DETAILS AND SPECIFICATIONS SUBJECT TO CHANGE WITHOUT PRIOR NOTICE - Whilst every effort has been made to ensure the accuracy of the information supplied herein, Burnett & Hillman cannot be held responsible for any errors or omissions (E&OE)

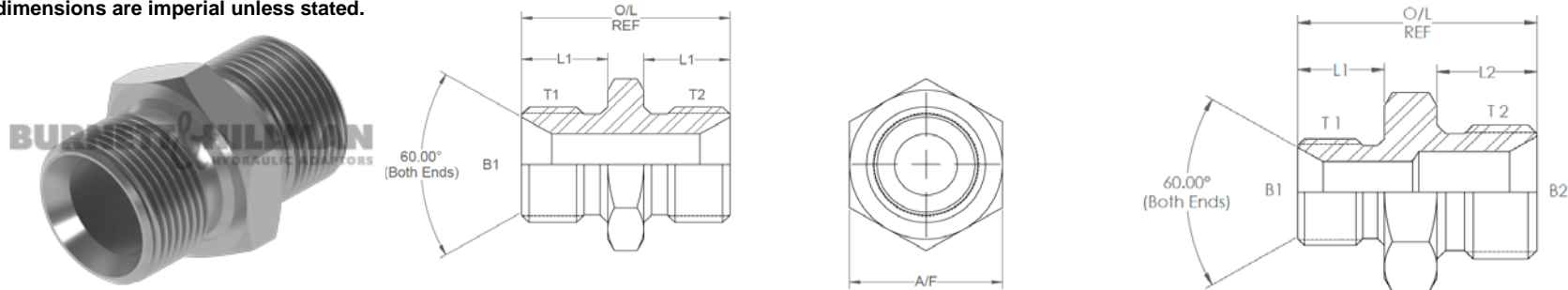
A/F dimensions are imperial unless stated.



	T1	T2	B1	B2	L1	L2	O/L	A/F
00060	3/8	2	7.92	46.02	16.51	25.40	73.48	70mm
00021	1/2	1/2	11.1		15.24	15.24	36.83	27mm
00022	1/2	5/8	11.1	14.27	15.24	17.78	40.13	30mm
00023	1/2	3/4	11.1	16.74	15.24	19.05	42.16	32mm
00024	1/2	1	11.1	22.23	15.24	20.32	44.45	41mm
00025	1/2	1-1/4	11.1	28.58	15.24	20.32	45.72	50mm
00026	1/2	1-1/2	11.1	33.32	15.24	21.59	48.26	55mm
00027	1/2	2	11.1	46.02	15.24	25.40	53.34	70mm
00028	5/8	5/8	14.27		17.78	17.78	42.67	30mm
00029	5/8	3/4	14.27	16.74	17.78	19.05	44.70	32mm
00030	5/8	1	15.06	22.23	17.78	20.32	46.99	41mm
00031	5/8	1-1/4	14.27	28.58	17.78	20.32	46.99	50mm
00069	5/8	1-1/2	15.06	36.50	17.78	21.59	52.07	55mm
00032	3/4	3/4	16.74		19.05	19.05	45.97	32mm
00033	3/4	1	16.74	22.23	19.05	20.32	48.26	41mm
00034	3/4	1-1/4	16.74	28.58	19.05	20.32	49.53	50mm
00035	3/4	1-1/4	16.74	33.32	19.05	21.59	52.07	55mm
00036	3/4	2	16.74	46.02	19.05	25.40	57.91	70mm
00037	1	1	22.23		20.32	20.32	49.53	41mm
00038	1	1-1/4	22.23	28.58	20.32	20.32	50.80	50mm

DESIGN DETAILS AND SPECIFICATIONS SUBJECT TO CHANGE WITHOUT PRIOR NOTICE - Whilst every effort has been made to ensure the accuracy of the information supplied herein, Burnett & Hillman cannot be held responsible for any errors or omissions (E&OE)

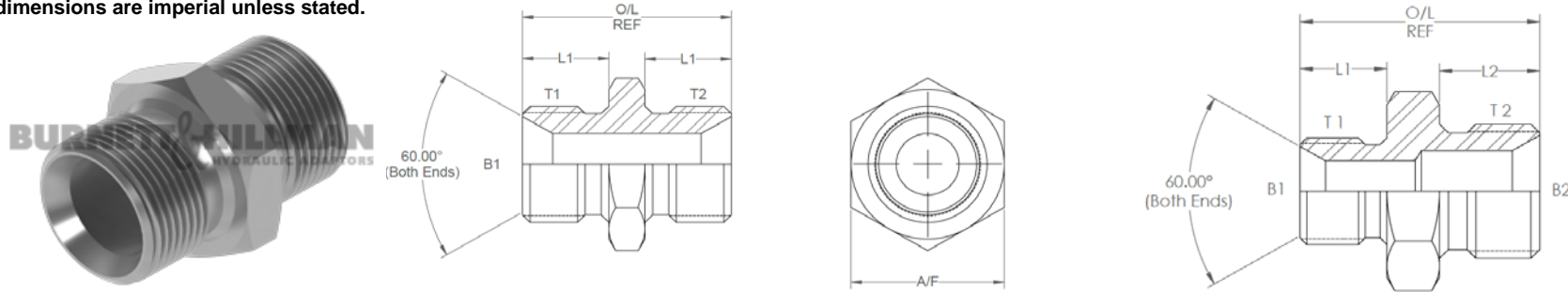
A/F dimensions are imperial unless stated.



	T1	T2	B1	B2	L1	L2	O/L	A/F
00039	1	1-1/2	22.23	33.32	20.32	21.59	53.34	55mm
00040	1	2	22.23	46.02	20.32	25.40	58.42	70mm
00051	1	2-2/2	22.23	60.20	20.32	25.40	61.47	3.25
00042	1-1/4	1-1/4	28.58		20.32	20.32	50.80	50mm
00043	1-1/4	1-1/2	28.58	33.32	20.32	21.59	53.34	55mm
00044	1-1/4	2	28.58	46.02	20.32	25.40	58.42	70mm
00041	1-1/4	2-1/2	30.56	60.20	20.32	25.40	61.47	3.25
00045	1-1/2	1-1/2	33.32		21.59	21.59	54.61	55mm
00046	1-1/2	1-3/4	33.32	39.29	21.59	25.40	59.69	65mm
00047	1-1/2	2	33.32	46.02	21.59	25.40	59.69	70mm
00048	1-1/2	2-1/2	33.32	60.20	21.59	25.40	62.74	3.25
00057	1-3/4	1-3/4	39.29		25.40	25.40	63.50	70mm
00049	1-3/4	2	39.29	46.02	25.40	25.40	63.50	70mm
00058	1-3/4	2-1/2	39.29	60.20	25.40	25.40	66.55	3.25
00050	2	2	46.02		25.40	25.40	63.50	70mm
00053	2	2-1/2	46.02	60.20	25.40	25.40	66.55	3.25
00056	2	3	46.02	69.85	25.40	25.40	66.55	95mm
00063	2	4	46.02	95.25	25.40	25.40	66.55	4.75
00052	2-1/2	2-1/2	60.20		25.40	25.40	66.55	3.25
00054	2-1/2	3	60.20	69.85	25.40	25.40	66.55	95mm

DESIGN DETAILS AND SPECIFICATIONS SUBJECT TO CHANGE WITHOUT PRIOR NOTICE - Whilst every effort has been made to ensure the accuracy of the information supplied herein, Burnett & Hillman cannot be held responsible for any errors or omissions (E&OE)

A/F dimensions are imperial unless stated.



	T1	T2	B1	B2	L1	L2	O/L	A/F
00055	3	3	69.85		25.40	25.40	66.55	95mm
00065	3	3-1/2	69.85	82.55	25.40	25.40	66.55	4.25
00064	3	4	69.85	95.25	25.40	25.40	66.55	4.75
00061	3-1/2	4	82.55	95.25	25.40	25.40	66.55	4.75
00062	4	4	95.25		25.40	25.40	66.55	4.75